

***Parts***

**AUTHORITY**

125 Redwood Circle, Fayetteville, Georgia 30214 770.719.9492  
FAA Parts Manufacturing Authority PQ4173CE

***“Your Source for Aerostar PMA Parts”***

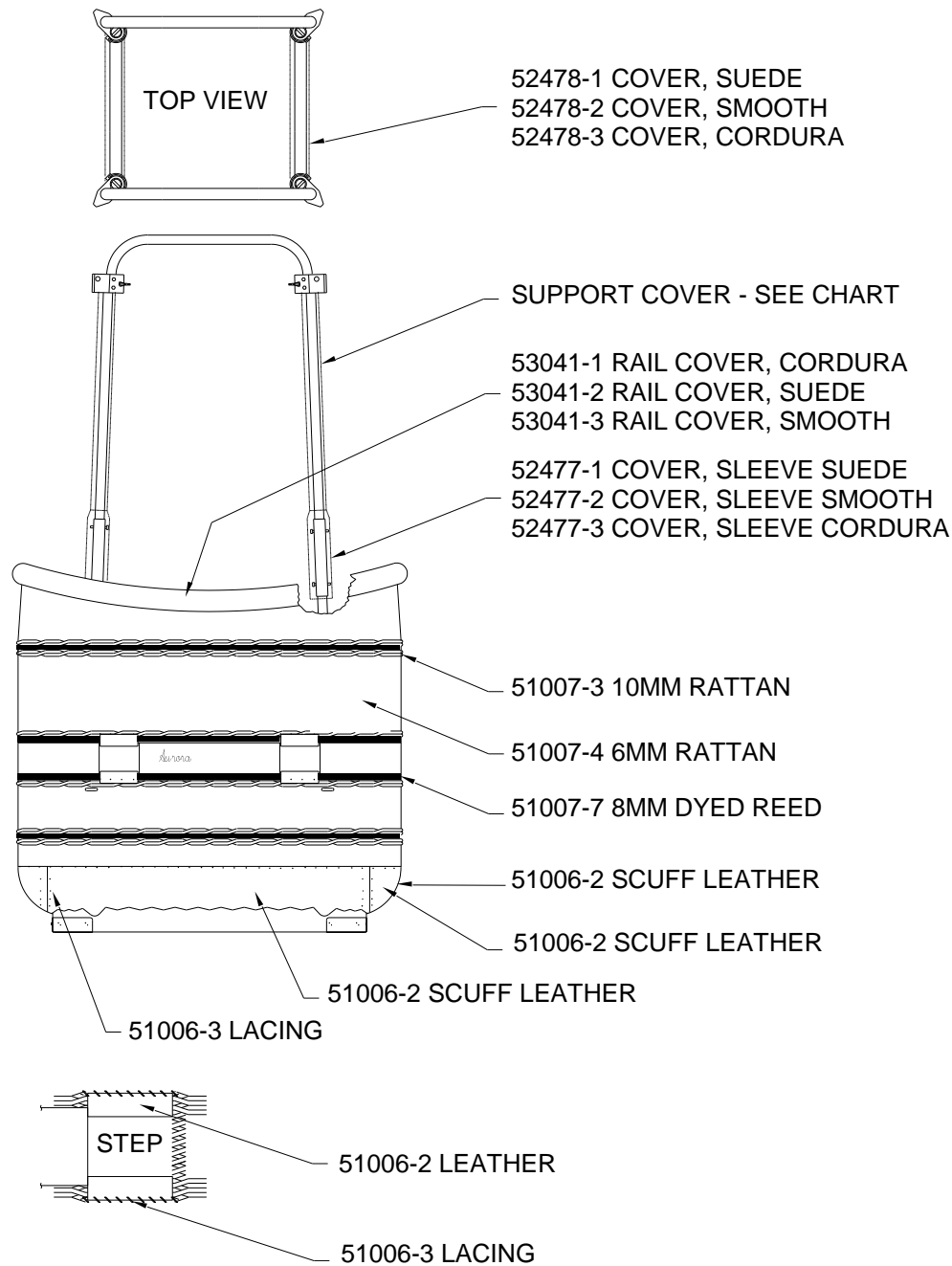
# AEROSTAR PARTS MANUAL

*(Parts Subject to Availability)*

AURORA GONDOLA  
MODEL “ELS”  
Aerostar P/N 52440

PART NUMBER	DESCRIPTION	UNITS
ARP12593	STRAP, TANK H2O ASSY	EA.
ARP12593 - 4	STRAP W/O BUCKLE CW & CWS	EA.
ARP14571	STRAP ASSY TANK V15 / V18	EA.
ARP51003 - 1	FOAM, THERMAL CELL NOMACO C78A	FT.
ARP51003 - 7	TUBING, POLY ACCENTS (100 FT. ROLLS)	FT.
ARP51003 - 55	FOAM	FT.
ARP51003 - 82	BARB CONNECTOR FOR POLY WICKER	EA.
ARP51006 - 2	LEATHER, MOCCASIN COWHIDE	EA.
ARP51006 - 3	INDIAN TAN LACING	FT.
ARP51007 - 3	WICKER, 9-10 MM NATURAL KOOBOO RATAN	5 LB. MIN.
ARP51007 - 4	WICKER, 4-7 MM NATURAL KOOBOO RATAN	5 LB. MIN.
ARP51007 - 7	WICKER, DYED 8 MM ROUND REED	5 LB. MIN.
ARP51007 - 17	NYLON LACING, #381 TASLN, ST/684 BLACK/BROWN	FT.
ARP51013 - 59	BOLT, AIRCRAFT BOLT AN3-16A	EA.
ARP51013 - 83	BOLT, AIRCRAFT AN3-17A	EA.
ARP51013 - 108	BOLT, AN4-20A	EA.
ARP51014 - 13	SCREW, WOOD #8 X 1	EA.
ARP51014 - 22	SCREW, WOOD 8 X 5/8 SQUARE DRIVE	EA.
ARP51014 - 33	SCREW, WOOD COMBINATION #8 X 5/8	EA.
ARP51015 - 1	NUT, MS20365-1032A 10-32	EA.
ARP51015 - 10	NUT, LOCKING MS20365-428A	EA.
ARP51015 - 24	NUT, THIN 21NTE-040 ESNA	EA.
ARP51017 - 2	WASHER, 1/4 PLN PLATED STL	EA.
ARP51017 - 5	WASHER, PLAIN #10	EA.
ARP51017 - 18	WASHER, 5/16 CAD PLATED	EA.
ARP51019 - 33	BOLT, ELEVATOR 1/4-20 X 2 1/2 IN	EA.
ARP51038 - 5	FIRE EXTINGUISHER	EA.
ARP51040 - 47	U-CLIPS FOR POLY CARBONATE WICKER SPLICE	EA.
ARP51054 - 49	SAFETY WALK, 2"	FT.
ARP51093 - 1	BAG, ACCESSORY SUEDE	EA.
ARP51093 - 2	BAG, ACCESSORY SMOOTH	EA.
ARP51093 - 3	BAG, ACCESSORY CORDURA	EA.
ARP52133	COVER, HOSE, CORDURA, ELS, RWS	EA.
ARP52143 - 11	COVER, CORDURA ELS #2 & 4	EA.
ARP52143 - 12	COVER, CORDURA ELS #3	EA.
ARP52143 - 13	COVER, SUEDE LEATHER SUPPORT TUBE ELS #2 & 4	EA.
ARP52143 - 14	COVER, SUEDE LEATHER SUPPORT TUBE ELS #3	EA.
ARP52143 - 15	COVER, SMOOTH LEATHER ELS #2 & 4	EA.
ARP52143 - 16	COVER, SMOOTH LEATHER ELS #3	EA.
ARP52144 - 8	COVER, SUEDE LEATHER SUPPORT TUBE ELS W/FLAP	EA.
ARP52144 - 9	COVER, SMOOTH LEATHER ELS W/FLAP	EA.
ARP52144 - 10	COVER, CORDURA ELS W/FLAP	EA.
ARP52145	STEP STIFFENER, LOWER	EA.
ARP52163	QUICK RELEASE PIN WITH RETAINER	EA.
ARP52249	FIRE EXTINGUISHER POUCH	EA.
ARP52287	STRAP ASSEMBLY, 10 GAL TANK	EA.
ARP52291 - 1	TANK COVER H2O	EA.
ARP52403	POLY CARBONATE WICKER SPLICE	EA.
ARP52444 - 3	SUPPORT TUBE, ALUM. ELS/ELSS	EA.
ARP52444 - 4	SUPPORT TUBE, STAINLESS STEEL ELS/ELSS	EA.
ARP52445 - 3	SIDE FRAME, ALUM. ELS/ELSS	EA.
ARP52445 - 4	SIDE FRAME, STAINLESS STEEL ELS/ELSS	EA.
ARP52450 - 1	INTERFACE TUBE ELS/ELSS ALUMINUM	EA.
ARP52450 - 2	INTERFACE TUBE ELS/ELSS STAINLESS STEEL	EA.
ARP52452	LOAD FITTING STANDARD ELS/ELSS	EA.
ARP52453	TUBE, TANK SUPPORT, ELS/ELSS	EA.

PART NUMBER		DESCRIPTION	UNITS
ARP52454		SKID, LONG ELS	EA.
ARP52455		SKID, SHORT ELS/ELSS	EA.
ARP52456		LOAD FITTING, CARABINER ELS/ELSS	EA.
ARP52469		FLOOR, ELS	EA.
ARP52470		BOARD, FILLER ELS	EA.
ARP52477	- 1	COVER, SUEDE LEATHER SLEEVES ELS	EA.
ARP52477	- 2	COVER, SMOOTH LEATHER SLEEVES ELS	EA.
ARP52477	- 3	COVER, CORDURA SLEEVES ELS	EA.
ARP52478	- 1	COVER, SUEDE LEATHER SIDE FRAME ELS	EA.
ARP52478	- 2	COVER, SMOOTH LEATHER SIDE FRAME ELS	EA.
ARP52478	- 3	COVER, CORDURA SIDE FRAME ELS	EA.
ARP52479		FIRE EXTINGUISHER	EA.
ARP52985	- 1	TANK SHOE	EA.
ARP53041	- 1	COVER, RAIL ELS CORDURA	EA.
ARP53041	- 2	COVER, RAIL ELS SUEDE	EA.
ARP53041	- 3	COVER, RAIL ELS SMOOTH	EA.
ARP53044	- 1	SEAT, H-20 CORDURA (LEFT)	EA.
ARP53044	- 2	SEAT, H-20 SMOOTH (LEFT)	EA.
ARP53090		PIN, WIRE LOCK, S.S. (STAMPED "S")	EA.
ARP53091		PIN, WIRE LOCK, STEEL (STAMPED "A")	EA.
ARP53092		SKID GUARD, POLY ELS SHORT	EA.
ARP53094		SKID GUARD, POLY ELS LONG	EA.
ARP53118	- 1	BACKREST, SMOOTH LEATHER, ELS, ELSS, CW, RWSW	EA.
ARP53118	- 2	BACKREST, CORDURA ELS, ELSS, CW, RWSW	EA.
ARP53143		CORDURA 1000D	EA.
ARP60000	- 105	ELS BURNER CLIPS (SERVICE BULLETIN #316)	EA.



SUPPORT TUBE COVERS	CORNER 1 (with Flap)	CORNER 2	CORNER 3	CORNER 4
STANDARD (HOSE FLAP)	52133	N/A	N/A	N/A
CORDURA	52144-10	52143-11	52143-12	52143-11
SUEDE LEATHER	52144-8	52143-13	52143-14	52143-13
SMOOTH LEATHER	52144-9	52143-15	52143-16	52143-15

Figure ELS1

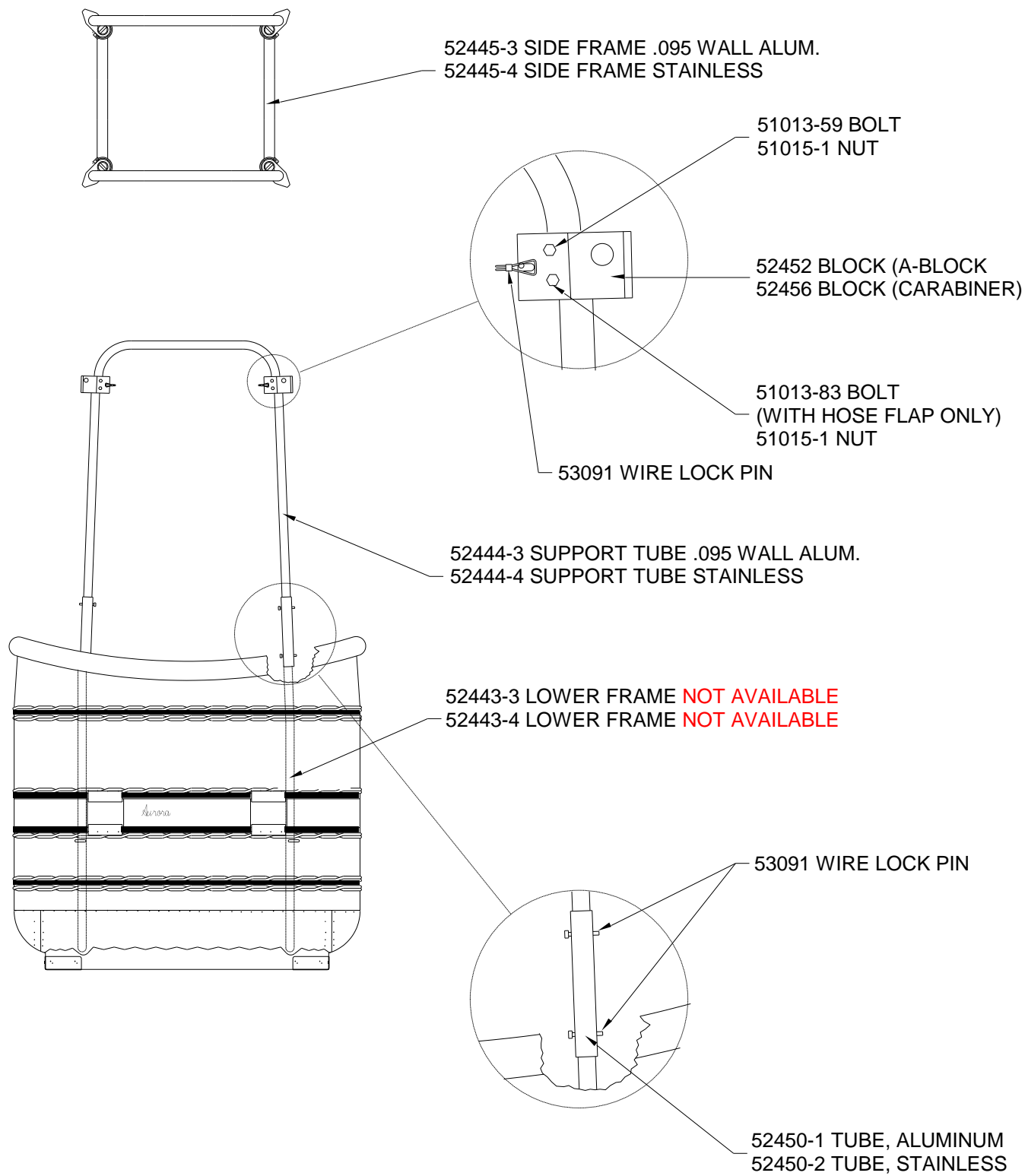


Figure ELS2

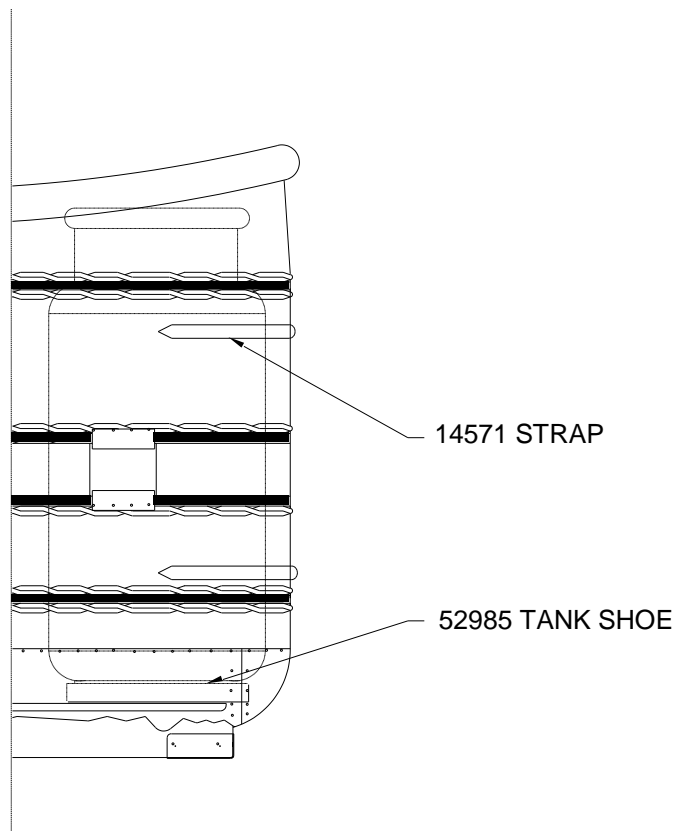
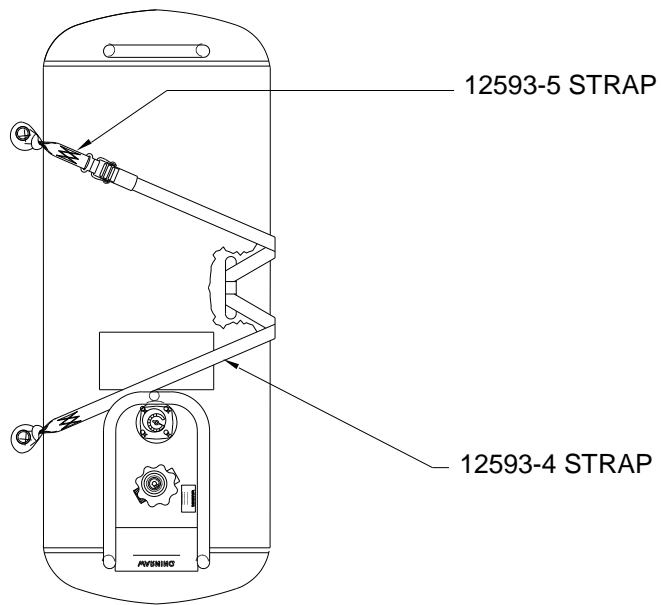


Figure ELS3

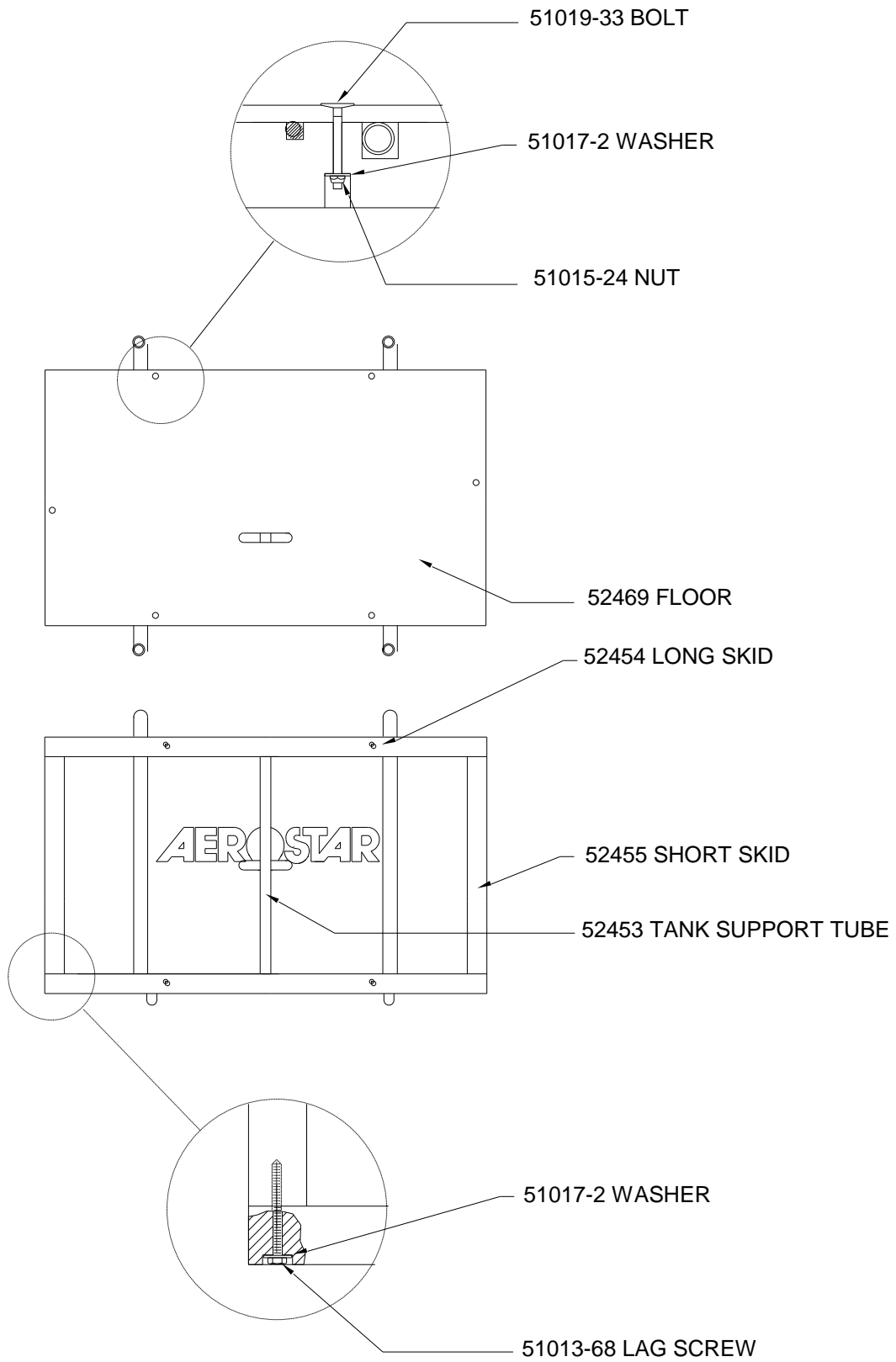


Figure ELS4