

***Parts***

**AUTHORITY**

125 Redwood Circle, Fayetteville, Georgia 30214 770.719.9492  
FAA Parts Manufacturing Authority PQ4173CE

***“Your Source for Aerostar PMA Parts”***

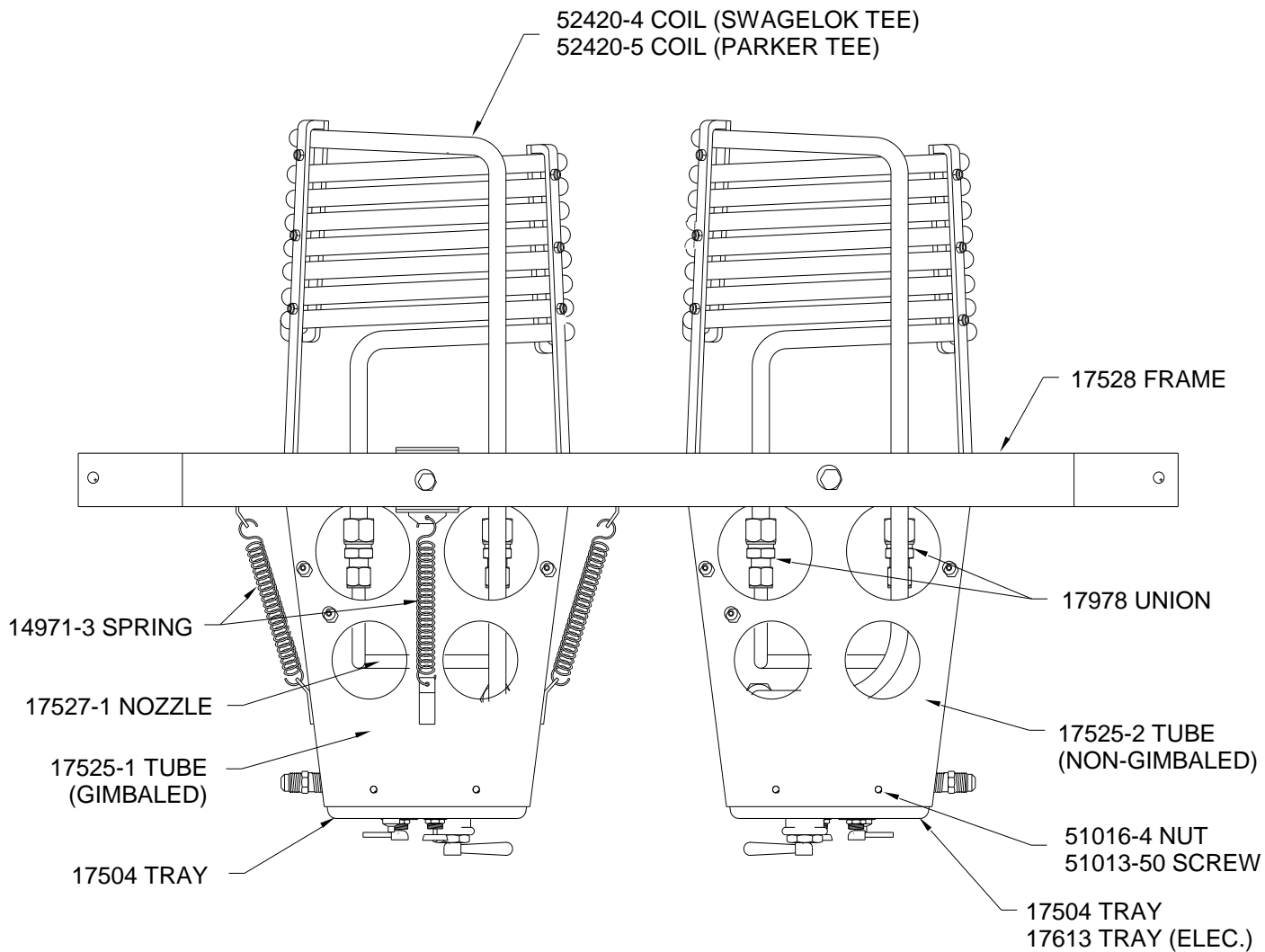
# AEROSTAR PARTS MANUAL

*(Parts Subject to Availability)*

DUAL BURNER  
MODEL “HP2D”  
Aerostar P/N 17395

| PART NUMBER |      | DESCRIPTION                          | UNITS    |
|-------------|------|--------------------------------------|----------|
| ARP1001     | - 1  | VALVE, HOKE NO HANDLE                | EA.      |
| ARP13092    | - 1  | GIMBAL RESTRAINT                     | OBSOLETE |
| ARP13095    | - 2  | BRACKET, SPRING BURNER FRAME         | OBSOLETE |
| ARP13095    | - 3  | BRACKET, SPRING                      | OBSOLETE |
| ARP13136    | - 2  | SPACER, GIMBAL                       | OBSOLETE |
| ARP14971    | - 3  | SPRING, EXTENSION LEE LE-069F-6S     | EA.      |
| ARP16557    |      | PILOT ORIFICE DRILLED                | EA.      |
| ARP17463    |      | COIL SUPPORT INNER, REV. C           | EA.      |
| ARP17464    | - 1  | COIL SUPPORT OUTER-SHORT             | EA.      |
| ARP17464    | - 2  | COIL SUPPORT OUTER-LONG              | EA.      |
| ARP17504    |      | TRAY BURNER                          | OBSOLETE |
| ARP17505    |      | FITTING, MODIFIED TEE                | EA.      |
| ARP17506    |      | WASHER, RUBBER BLAST VALVE           | EA.      |
| ARP17519    |      | WASHER, BACKUP BLAST VALVE           | EA.      |
| ARP17525    | - 1  | SQUARE TUBE, HPII GIMBALLED          | OBSOLETE |
| ARP17525    | - 2  | SQUARE TUBE, HPII NON-GIMBALLED      | OBSOLETE |
| ARP17526    |      | GIMBAL FRAME                         | OBSOLETE |
| ARP17527    | - 1  | NOZZLE COIL W/ASPIRATOR              | EA.      |
| ARP17528    |      | BURNER FRAME, HPII DUAL              | OBSOLETE |
| ARP17529    |      | BRACKET, VALVE HOLD DOWN             | OBSOLETE |
| ARP17531    |      | CLAMP, STANDOFF COIL                 | EA.      |
| ARP17532    |      | GIMBAL LIMITER                       | OBSOLETE |
| ARP17613    |      | TRAY, BURNER, HPII W/ELECTRIC BLAST  | OBSOLETE |
| ARP17978    |      | UNION RESTRICTED                     | EA.      |
| ARP51002    | - 10 | COPPER TUBE .125OD X .030 WALL       | FT.      |
| ARP51012    | - 5  | POP RIVET AD42BS                     | EA.      |
| ARP51013    | - 36 | SCREW, MACHINE 10-32 X 5/8           | EA.      |
| ARP51013    | - 37 | SCREW, MACHINE 10-32 X 3/4           | EA.      |
| ARP51013    | - 40 | SCREW, 10-32 X 1 1/2 HEX HEAD SS     | EA.      |
| ARP51013    | - 45 | BOLT, AIRCRAFT AN4-12A               | EA.      |
| ARP51013    | - 49 | BOLT, AIRCRAFT AN4-6A                | EA.      |
| ARP51013    | - 50 | SCREW, PAN HEAD 10-24 X 3/8          | EA.      |
| ARP51013    | - 51 | BOLT, AIRCRAFT AN4-11A               | EA.      |
| ARP51013    | - 84 | SCREW, PAN HD 2-56 X 1IN             | EA.      |
| ARP51015    | - 17 | NUT, MS20365-428C 1/4-28             | EA.      |
| ARP51015    | - 18 | MS20365-624C NUT 3/8-24              | OBSOLETE |
| ARP51015    | - 19 | NUT, MS20500-1032 HI TEMP            | EA.      |
| ARP51015    | - 35 | NUT, LOCKING 2-56                    | OBSOLETE |
| ARP51016    | - 4  | NUT, SPEED ARDEN C8044-1024-3B       | EA.      |
| ARP51016    | - 13 | NUT, S.S. JAM NUT                    | OBSOLETE |
| ARP51017    | - 1  | WASHER, 1/4 PLN AN960-C416           | EA.      |
| ARP51017    | - 12 | WASHER, 5/8 AN960C1016L              | EA.      |
| ARP51017    | - 13 | WASHER, 3/8                          | EA.      |
| ARP51017    | - 15 | WASHER, SS MS15795-841               | EA.      |
| ARP51017    | - 30 | SPACER, TEFLON 161 X. 250 X .050     | EA.      |
| ARP51017    | - 34 | WASHER, 1.125OD X .450 ID X .048 THK | EA.      |
| ARP51017    | - 35 | WASHER, #2                           | OBSOLETE |
| ARP51027    | - 16 | FIBERGLASS SLEEVE PIEZO              | FT.      |
| ARP51031    | - 15 | CLAMP, LOOP TA715SS06                | EA.      |
| ARP51031    | - 16 | CLAMP, LOOP TA715SS05                | EA.      |
| ARP51031    | - 17 | CLAMP, LOOP TA 828-S11               | OBSOLETE |
| ARP51034    | - 6  | O-RING, PARKER 2-007-N103-7          | EA.      |
| ARP51034    | - 9  | SNAP RING                            | OBSOLETE |
| ARP51040    | - 6  | HAND WHEEL & INSERT 800-35-1         | EA.      |
| ARP51040    | - 7  | PLUG, BUTTON                         | EA.      |
| ARP51040    | - 17 | KNOB, RED METER PHEN-4J-P5           | EA.      |

| PART NUMBER   | DESCRIPTION                                     | UNITS    |
|---------------|---|----------|
| ARP51040 - 18 | KNOB, GREEN PILOT PHEN-4J-P5                    | EA.      |
| ARP51040 - 55 | GASKET, COPPER                                  | EA.      |
| ARP51042 - 4  | FITTING, STREET ELBOW 90 DEG.                   | EA.      |
| ARP51042 - 7  | FITTING, FEMALE TEE 1/4 PIPE                    | EA.      |
| ARP51042 - 11 | FITTING, ELBOW 90 DEG. SWIVEL 2047-4-4S         | EA.      |
| ARP51042 - 12 | FITTING, ADAPTER REDUCING 2083-6-4S             | EA.      |
| ARP51042 - 13 | FITTING, FEMALE TEE (SPECIAL) 8-86              | OBSOLETE |
| ARP51042 - 14 | BULKHEAD  | OBSOLETE |
| ARP51042 - 15 | FITTING, ADAPTER PIPE/JIC 2021-4-6S             | EA.      |
| ARP51042 - 16 | REDUCER   | OBSOLETE |
| ARP51042 - 17 | FITTING, FEMALE ELBOW 2-25BZ-B                  | EA.      |
| ARP51042 - 18 | FITTING, MALE ELBOW 2-2CBZ-B                    | EA.      |
| ARP51042 - 19 | PLUMBING, MALE PIPE ELBOW                       | OBSOLETE |
| ARP51042 - 20 | FITTING, HEX NIPPLE 2083-4-4S                   | EA.      |
| ARP51042 - 21 | FITTING, CLOSE NIPPLE 2084-4S-7/8               | EA.      |
| ARP51042 - 22 | PLUMBING, SWIVEL PIPE TEE                       | OBSOLETE |
| ARP51042 - 39 | FITTING, ADAPTER PIP/JIC 2022-4-4S              | EA.      |
| ARP51043 - 6  | FILTER, METEX 52-0110-F071-04                   | EA.      |
| ARP51043 - 9  | VALVE, ELECTRIC BLAST SOLENOID                  | OBSOLETE |
| ARP51043 - 26 | REGULATOR PISTON <b>NOT CURRENTLY AVAILABLE</b> | EA.      |
| ARP51043 - 32 | VALVE, TOGGLE HANDLE ONLY SHERWOOD              | OBSOLETE |
| ARP51865 - 2  | VALVE, NUPRO B-4JNAR2 GREEN                     | EA.      |
| ARP51901      | PILOT HEAD ASSEMBLY                             | EA.      |
| ARP51902      | FITTING, MODIFIED CROSS 2080-4-4S               | EA.      |
| ARP51906      | VALVE, PILOT TOGGLE HANDLE                      | OBSOLETE |
| ARP51909      | SLUG, PILOT                                     | EA.      |
| ARP51911 - 1  | WASHER, SLOTTED                                 | OBSOLETE |
| ARP51911 - 2  | WASHER, SLOTTED .048 THK.                       | EA.      |
| ARP51902      | 4 POINT TEE W/GAUGE ATTACHMENT                  | EA.      |
| ARP51912      | VALVE ASSEMBLY, MODIFIED                        | OBSOLETE |
| ARP52357      | O-RING, BLAST VALVE                             | EA.      |
| ARP52380      | VALVE, MODIFIED HOKE                            | EA.      |
| ARP52420 - 4  | HPII COIL ASSY W/NUTS & FERS SW F               | EA.      |
| ARP52420 - 5  | HPII COIL ASSY W/NUTS & FERS PARKER             | EA.      |
| ARP52727      | PRESSURE GAUGE KIT (REPLACEMENT WIKA)           | EA.      |



BURNER ASSEMBLY,  
HPII DUAL

HPII DUAL UPDATE  
Figure 2DB1

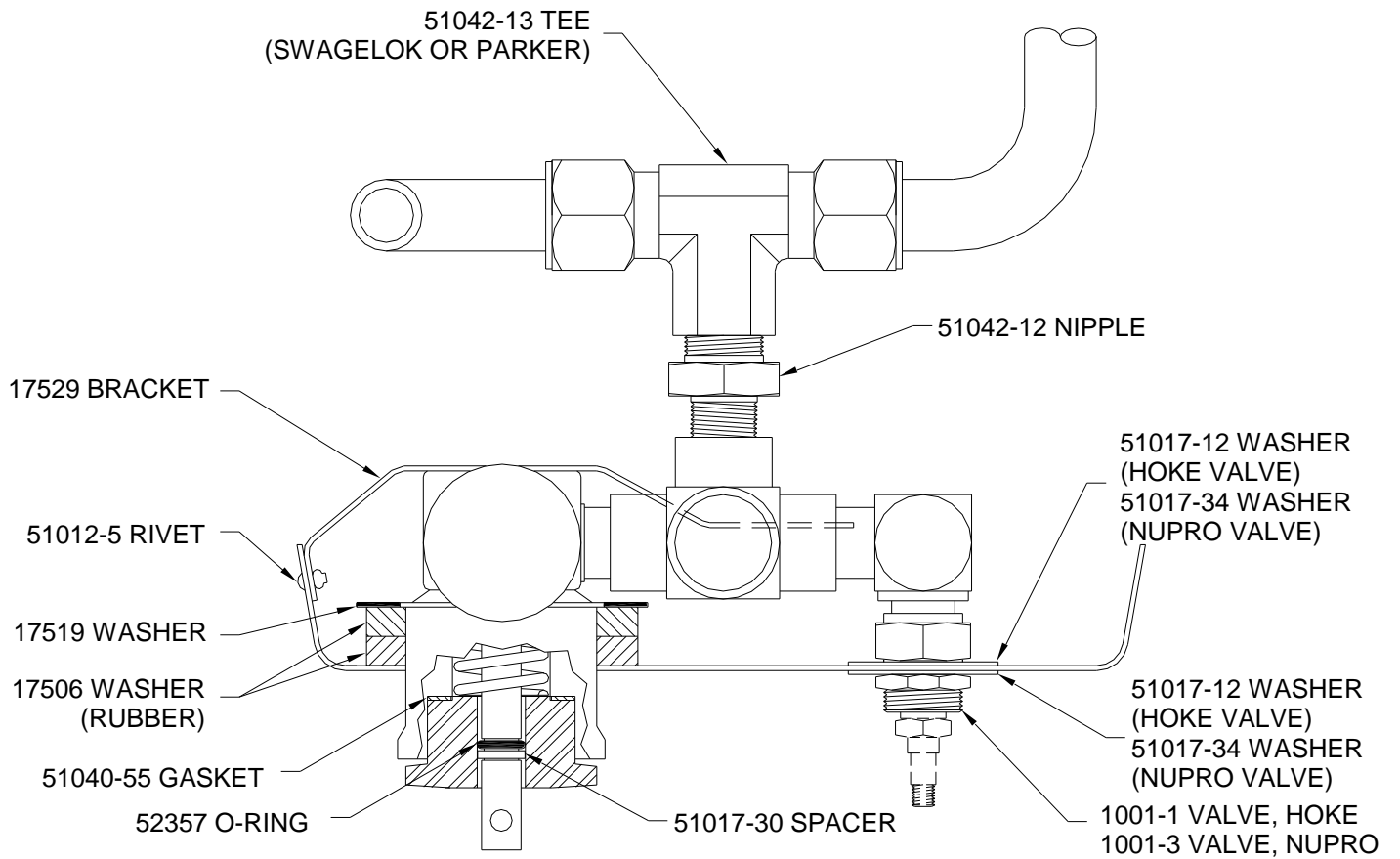
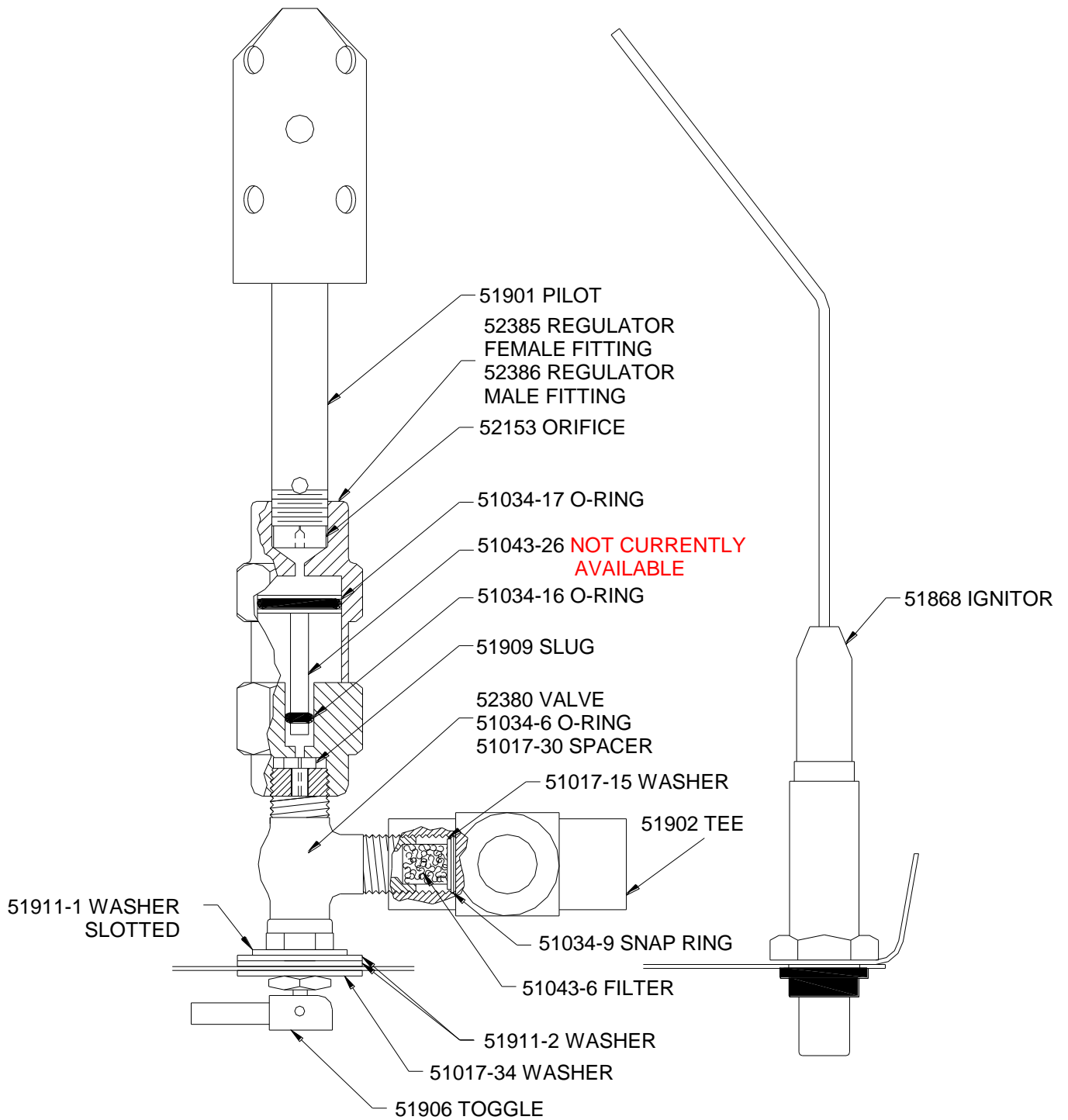
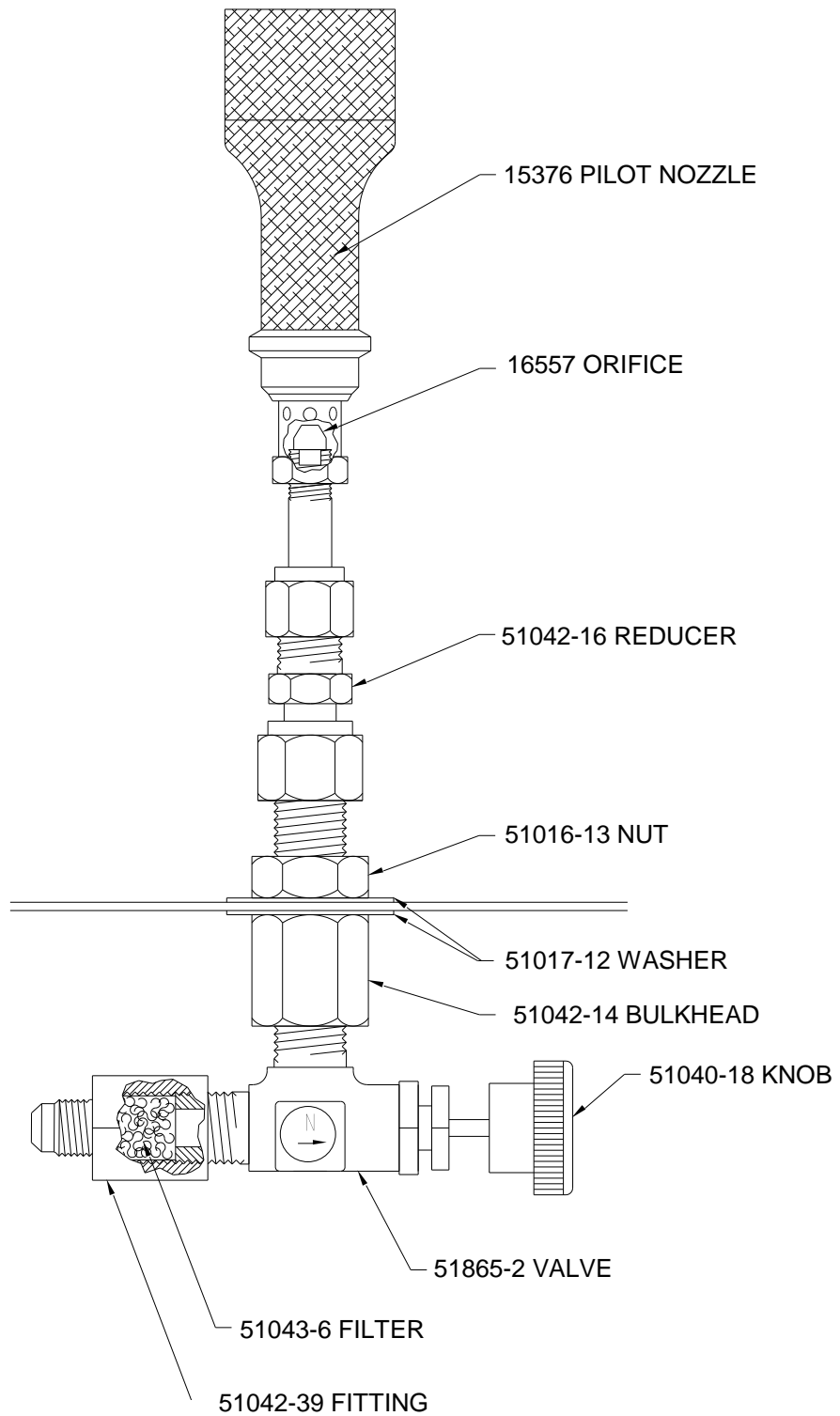


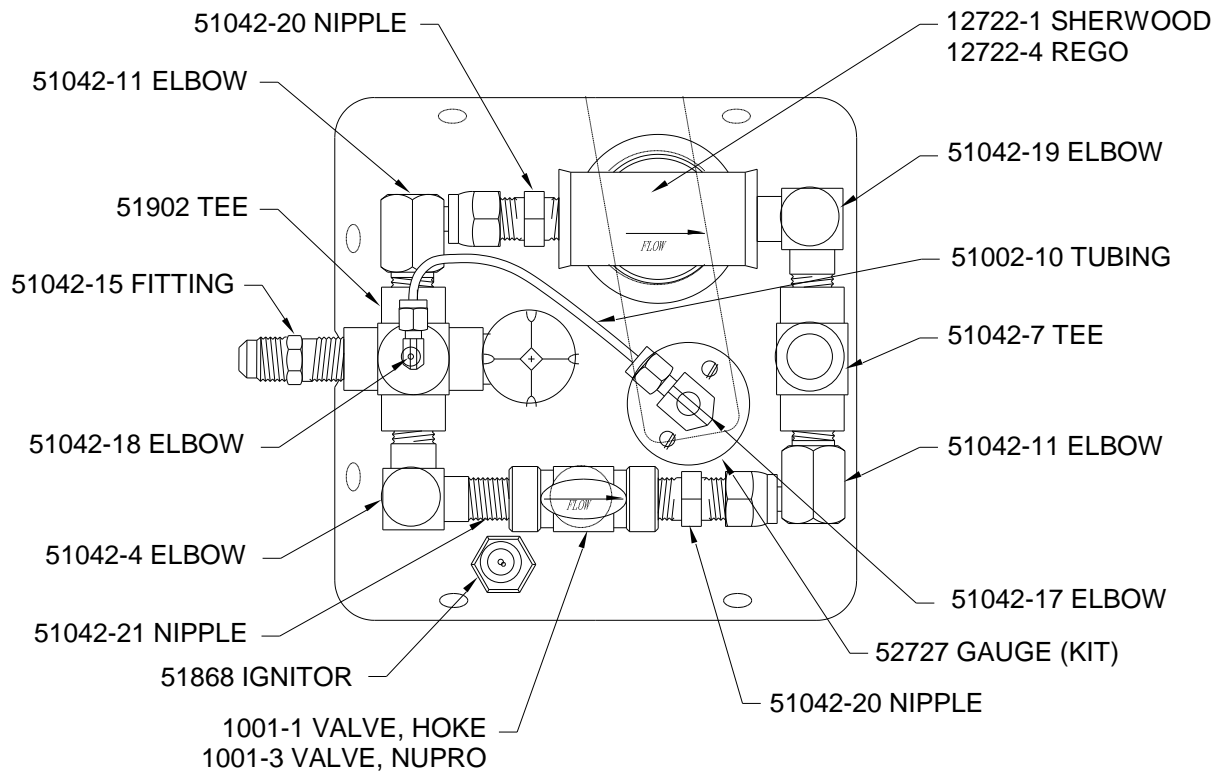
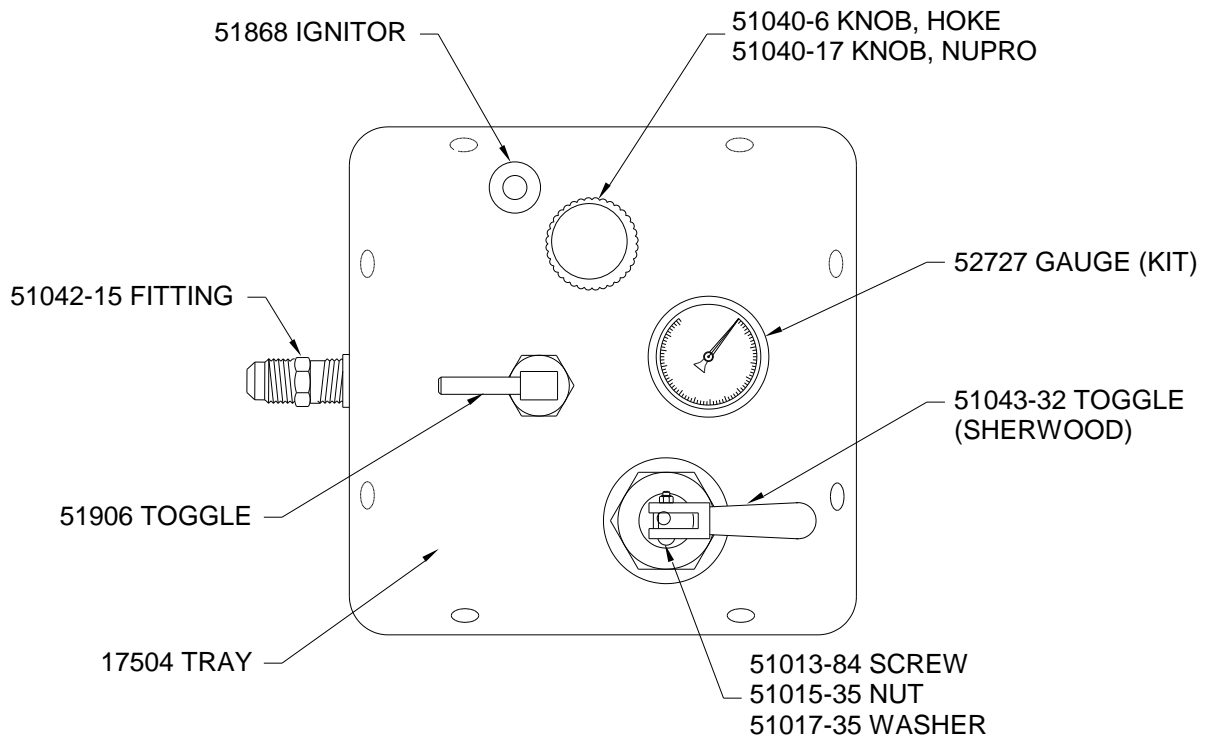
Figure 2DB2



PILOT, HPIID UPDATE  
 Figure 2DB3

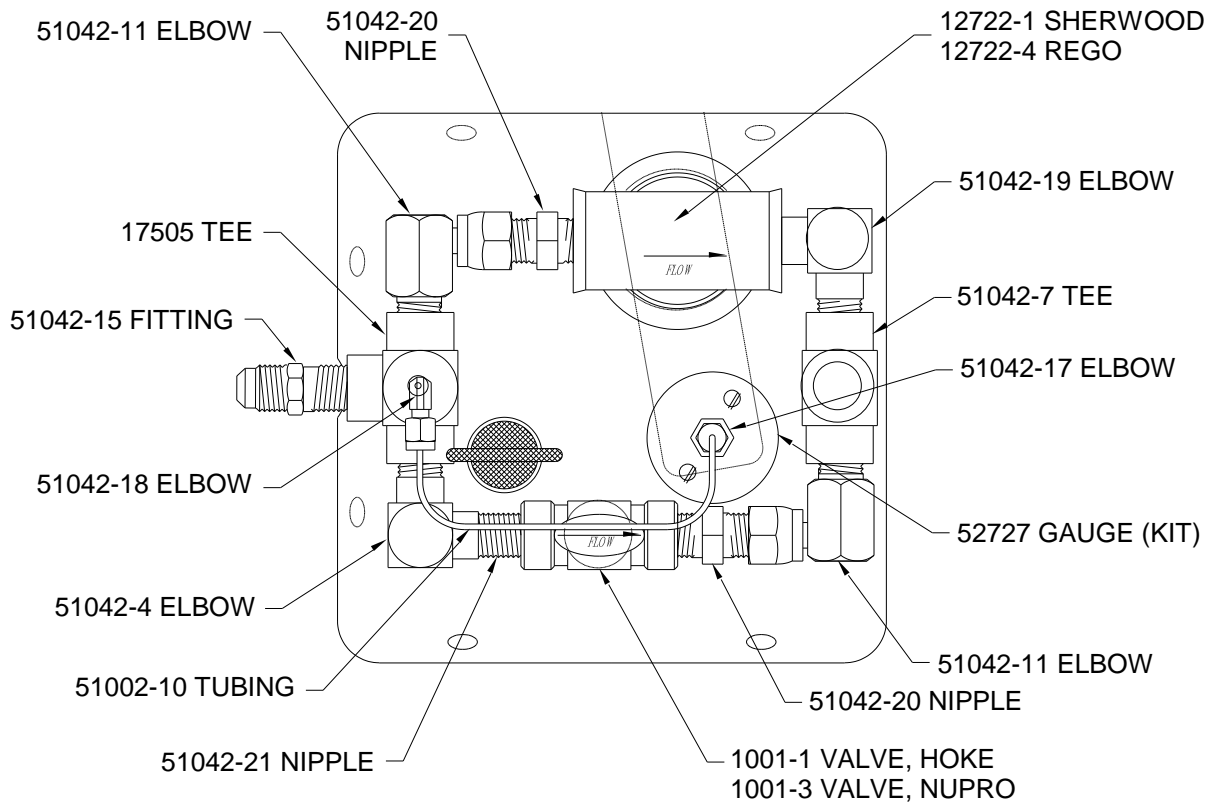
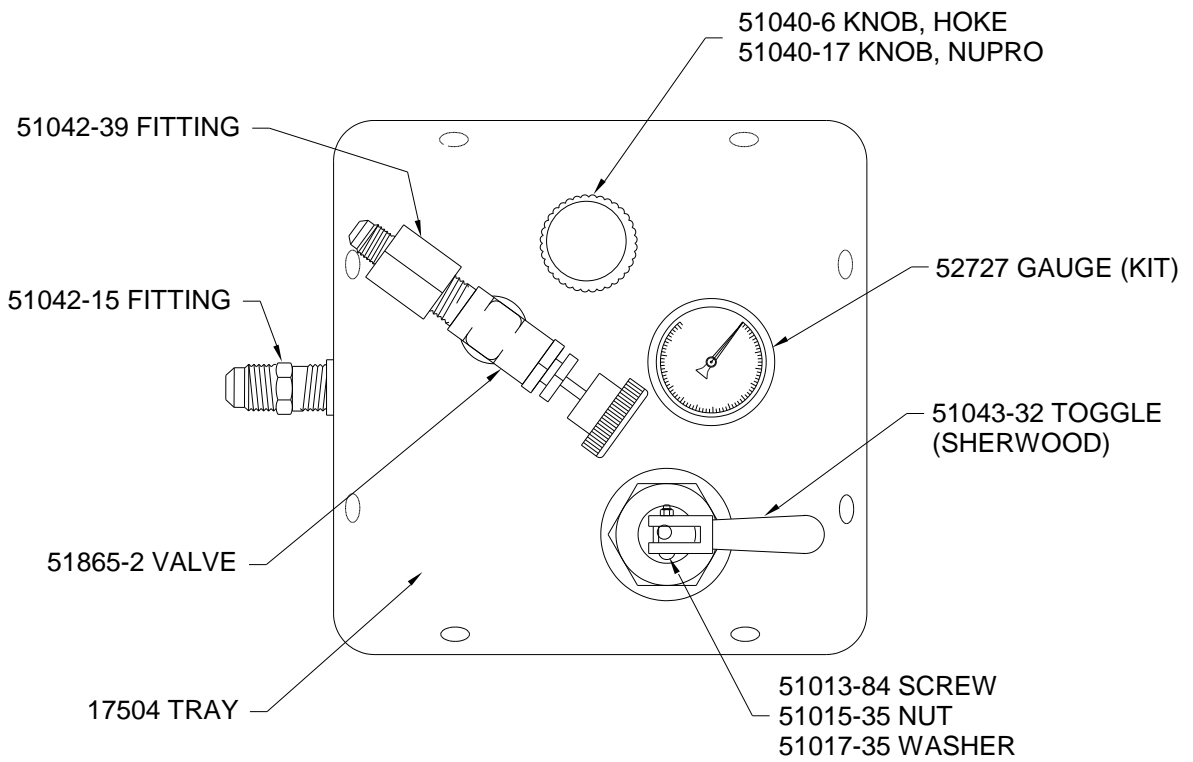


PILOT, HPIID  
Figure 2DB4

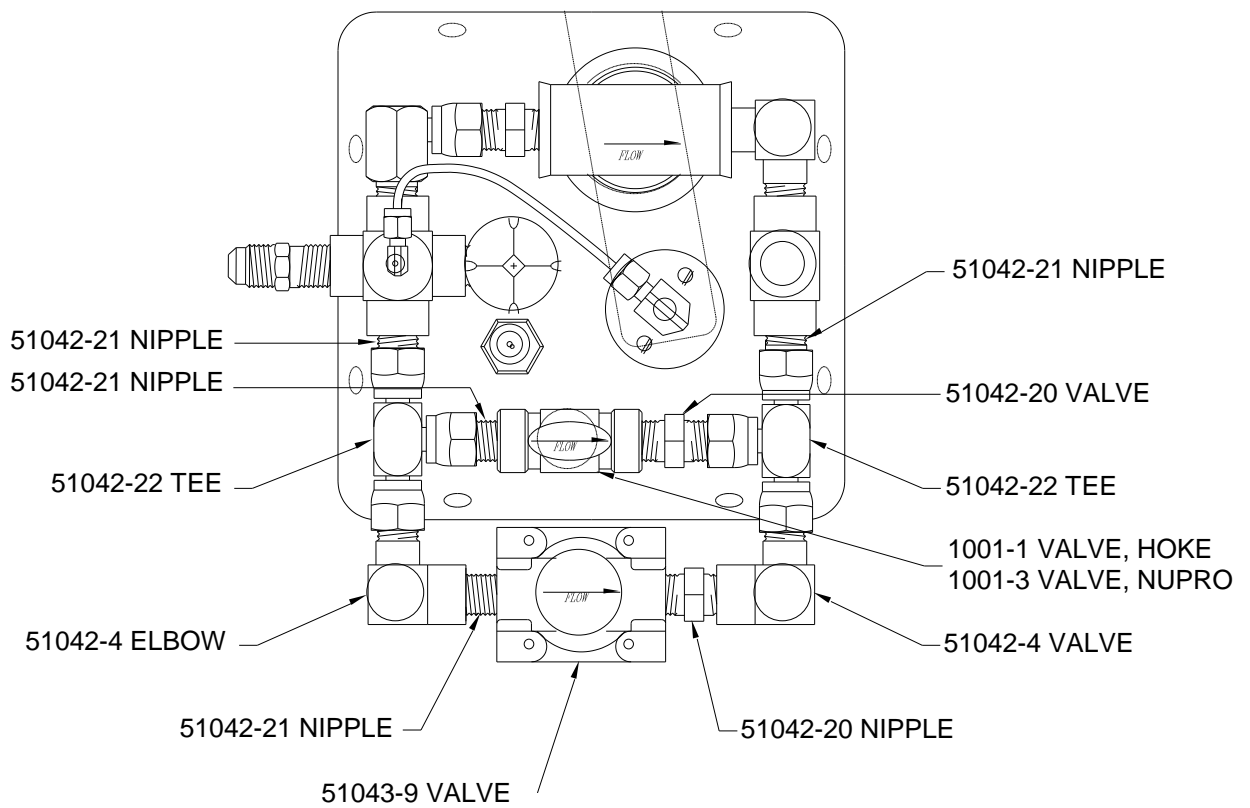
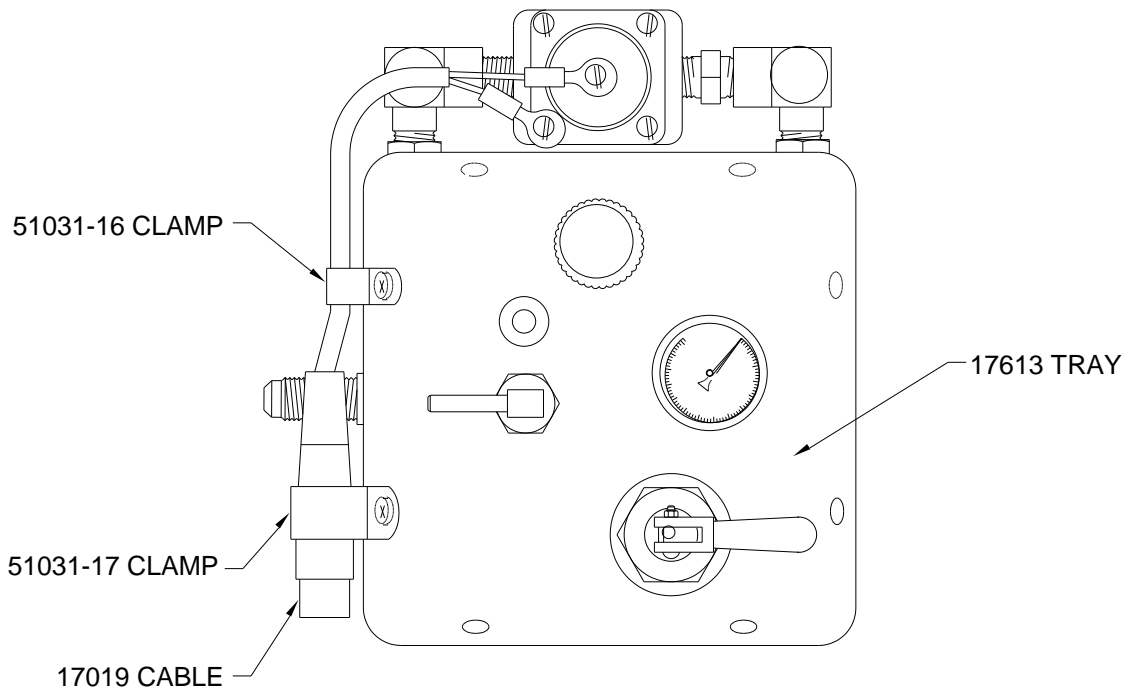


HPIID UPDATE  
Figure 2DB5





HPIID  
Figure 2DB6



HPIID ELECTRIC BLAST  
Figure 2DB7

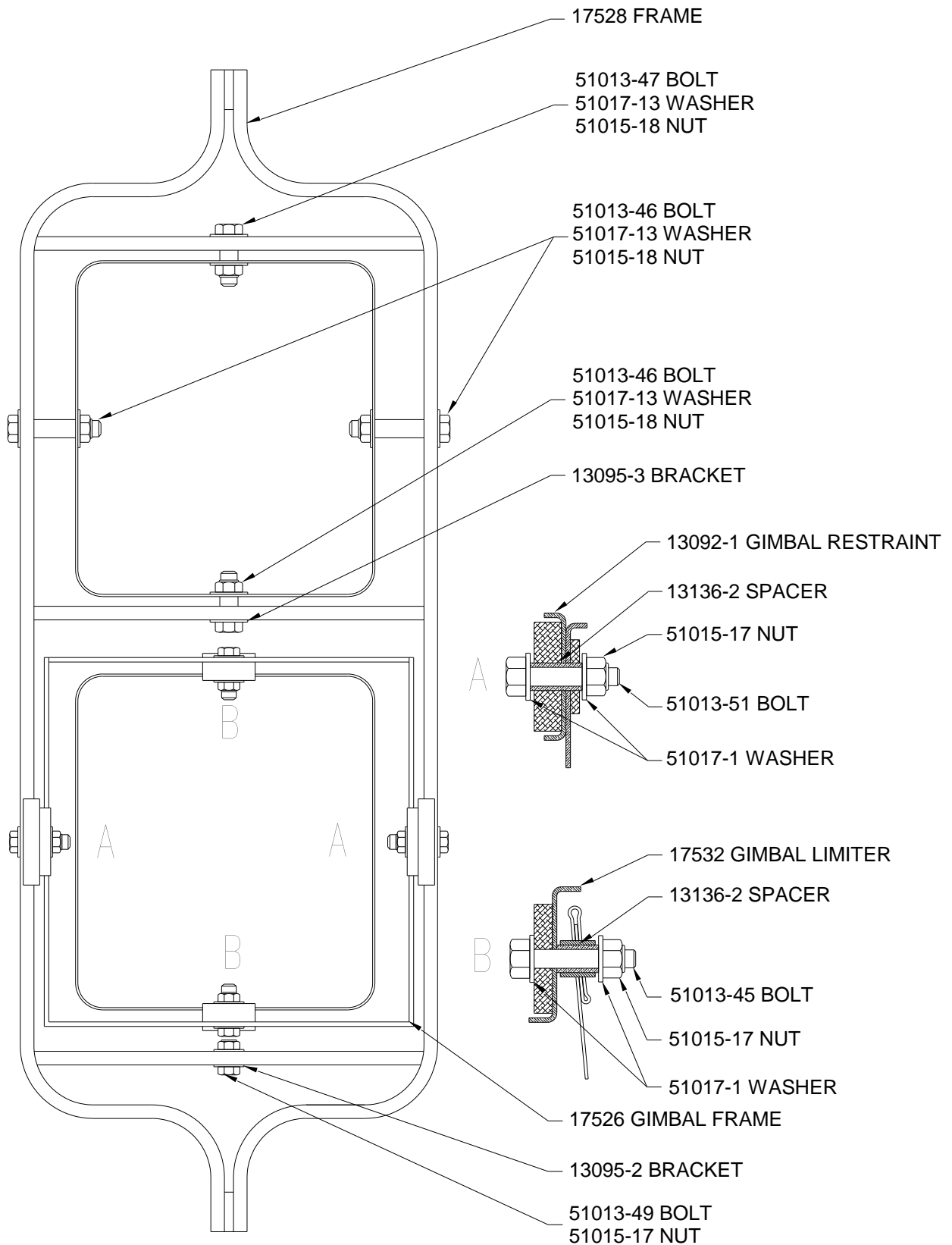


Figure 2DB8

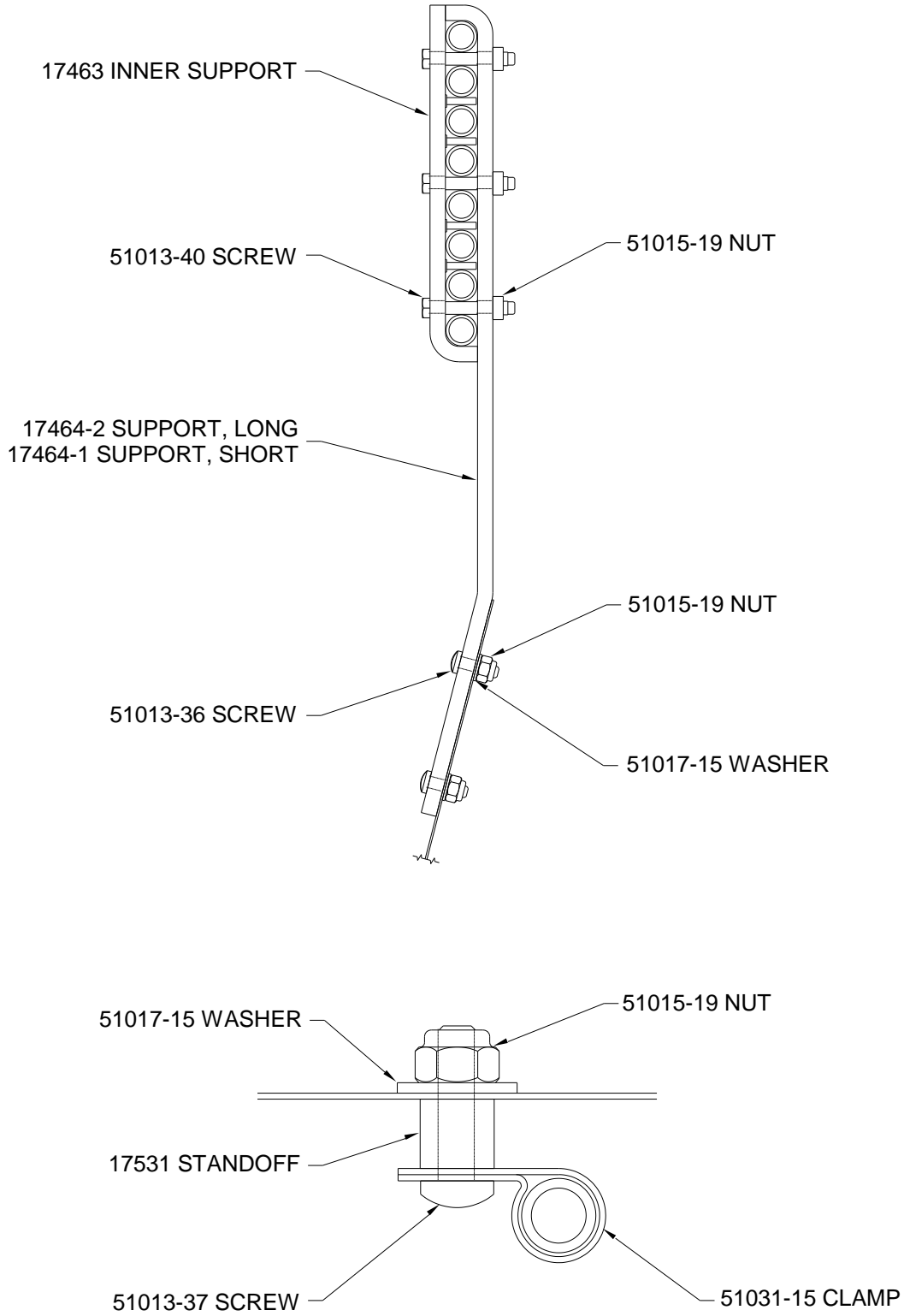


Figure 2DB9