

Parts

AUTHORITY

125 Redwood Circle, Fayetteville, Georgia 30214 770.719.9492
FAA Parts Manufacturing Authority PQ4173CE

“Your Source for Aerostar PMA Parts”

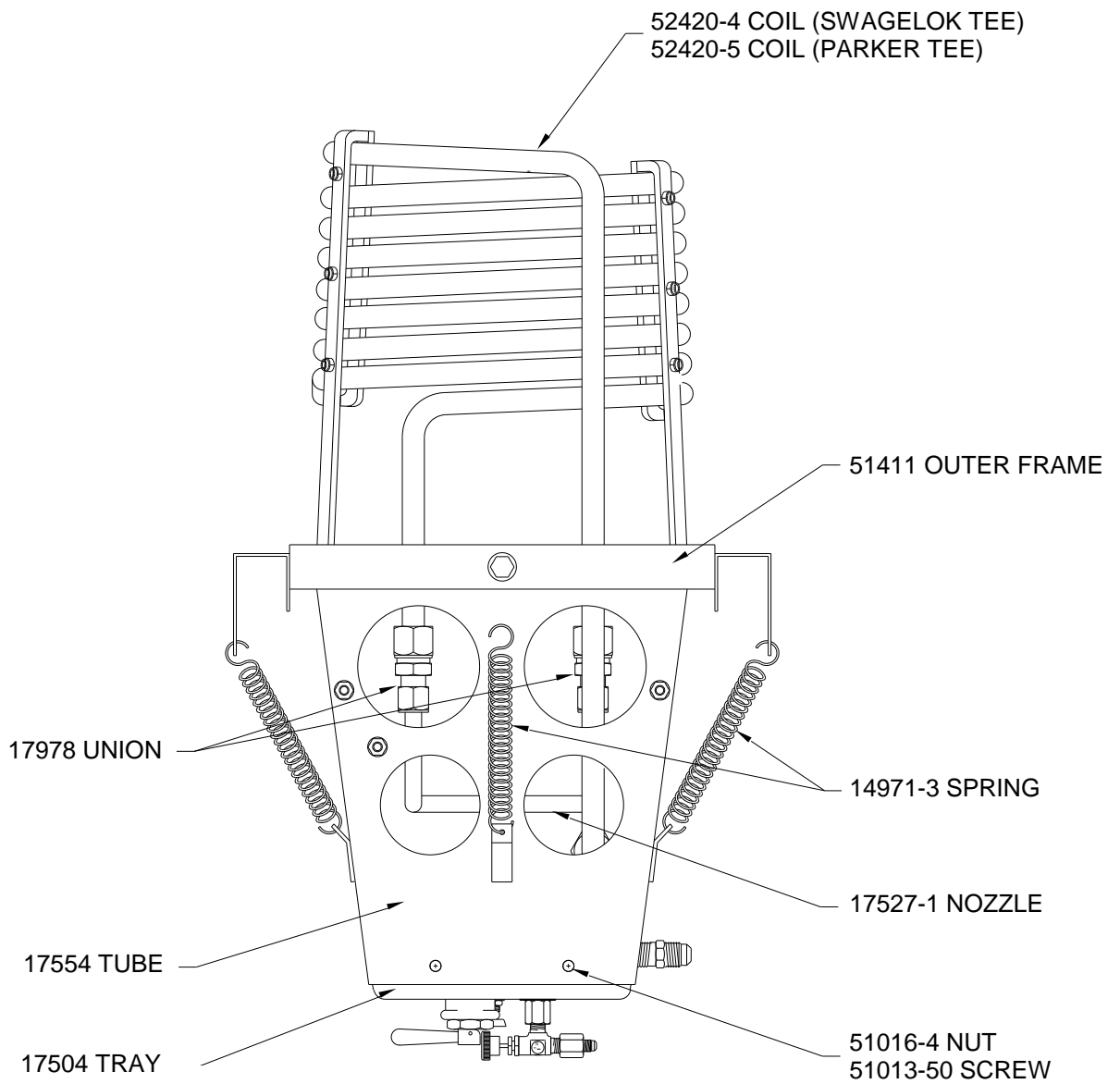
AEROSTAR PARTS MANUAL

(Parts Subject to Availability)

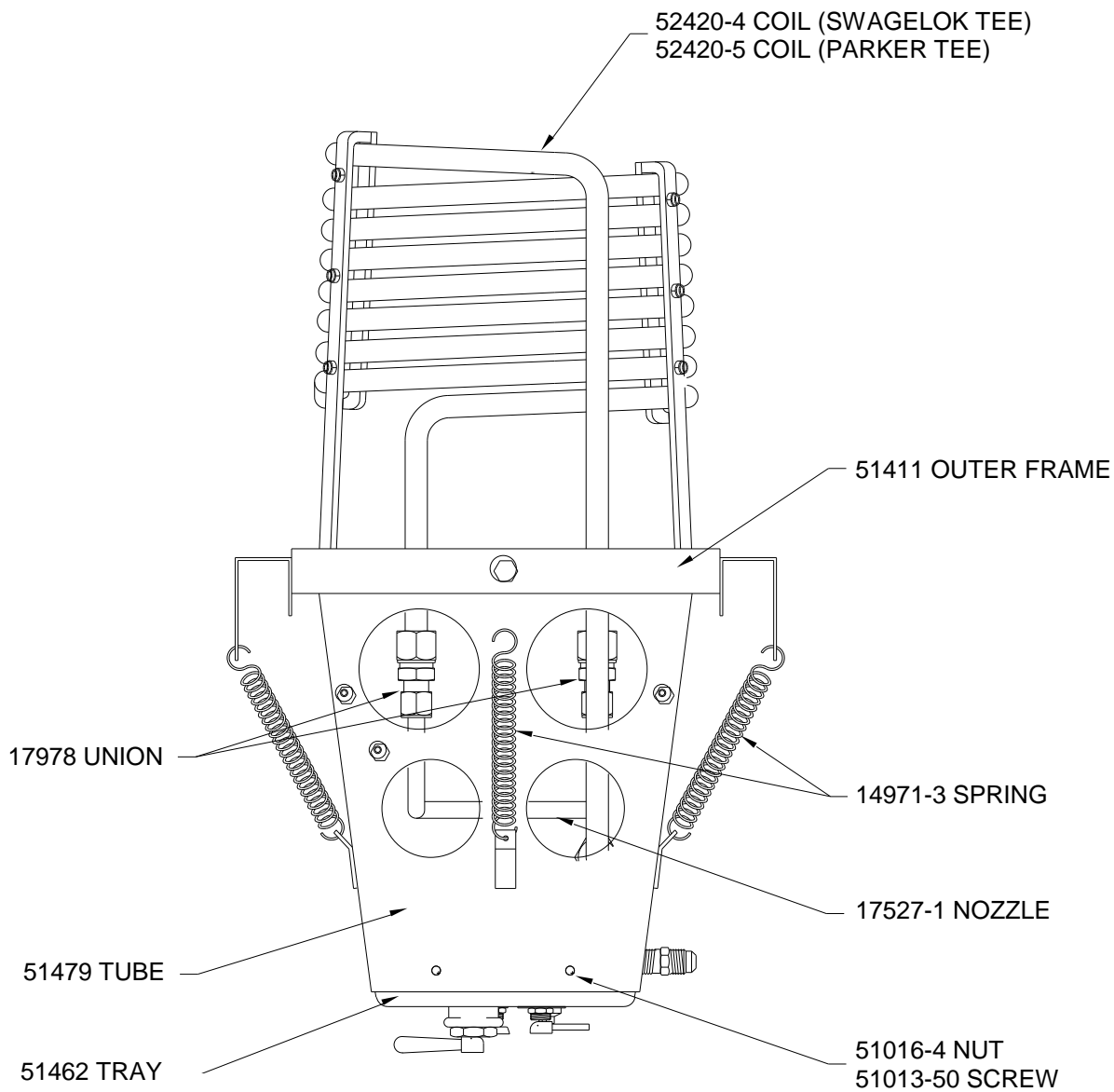
RALLY BURNER
MODEL “HP2R”
Aerostar P/N 17399
&
MODEL “HP2R”
DUAL INLET
Aerostar P/N 51464

ARP1001	- 1	VALVE, HOKE NO HANDLE	EA.
ARP13136	- 3	SPACER, GIMBAL	OBSOLETE
ARP14971	- 3	SPRING, EXTENSION LEE LE-069F-6S	EA.
ARP16557		PILOT ORIFICE DRILLED	EA.
ARP17463		COIL SUPPORT INNER, REV. C	EA.
ARP17464	- 1	COIL SUPPORT OUTER-SHORT	EA.
ARP17464	- 2	COIL SUPPORT OUTER-LONG	EA.
ARP17504		TRAY BURNER	OBSOLETE
ARP17505		FITTING, MODIFIED TEE	EA.
ARP17506		WASHER, RUBBER BLAST VALVE	EA.
ARP17519		WASHER, BACKUP BLAST VALVE	EA.
ARP17527	- 1	NOZZLE COIL W/ASPIRATOR	EA.
ARP17529		BRACKET, VALVE HOLD DOWN	OBSOLETE
ARP17531		CLAMP, STANDOFF COIL	EA.
ARP17554		SQUARE TUBE, HP2R	OBSOLETE
ARP17978		UNION RESTRICTED	EA.
ARP51002	- 10	COPPER TUBE .125OD X .030 WALL	FT.
ARP51012	- 5	POP RIVET AD42BS	EA.
ARP51013	- 36	SCREW, MACHINE 10-32 X 5/8	EA.
ARP51013	- 37	SCREW, MACHINE 10-32 X 3/4	EA.
ARP51013	- 40	SCREW, 10-32 X 1 1/2 HEX HEAD SS	EA.
ARP51013	- 48	SCREW, MACHINE 10-32 X 3/8	EA.
ARP51013	- 50	SCREW, PAN HEAD 10-24 X 3/8	EA.
ARP51013	- 75	SCREW, FLAT HEAD MACHINE 10-32 X 5/8	EA.
ARP51013	- 84	SCREW, PAN HD 2-56 X 11N	EA.
ARP51015	- 17	NUT, MS20365-428C 1/4-28	EA.
ARP51015	- 19	NUT, MS20500-1032 HI TEMP	EA.
ARP51015	- 35	NUT, LOCKING 2-56	OBSOLETE
ARP51016	- 4	NUT, SPEED ARDEN C8044-1024-3B	EA.
ARP51016	- 13	NUT, S.S. JAM NUT	OBSOLETE
ARP51017	- 11	WASHER, 9/16" S.S.	OBSOLETE
ARP51017	- 12	WASHER, 5/8 AN960C1016L	EA.
ARP51017	- 15	WASHER, SS MS15795-841	EA.
ARP51017	- 27	WASHER, 1/4	OBSOLETE
ARP51017	- 28	WASHER, PLAIN 7/16	OBSOLETE
ARP51017	- 30	SPACER, TEFLON 161 X. 250 X .050	EA.
ARP51017	- 34	WASHER, 1.125OD X .450 ID X .048 THK	EA.
ARP51017	- 35	WASHER, #2	OBSOLETE
ARP51027	- 16	FIBERGLASS SLEEVE PIEZO	FT.
ARP51031	- 15	CLAMP, LOOP TA715SS06	EA.
ARP51034	- 6	O-RING, PARKER 2-007-N103-7	EA.
ARP51040	- 17	KNOB, RED METER PHEN-4J-P5	EA.
ARP51040	- 18	KNOB, GREEN PILOT PHEN-4J-P5	EA.
ARP51040	- 55	GASKET, COPPER	EA.
ARP51042	- 4	FITTING, STREET ELBOW 90 DEG.	EA.
ARP51042	- 7	FITTING, FEMALE TEE 1/4 PIPE	EA.
ARP51042	- 11	FITTING, ELBOW 90 DEG. SWIVEL 2047-4-4S	EA.
ARP51042	- 12	FITTING, ADAPTER REDUCING 2083-6-4S	EA.
ARP51042	- 13	FITTING, FEMALE TEE (SPECIAL) 8-86	OBSOLETE
ARP51042	- 14	BULKHEAD	OBSOLETE
ARP51042	- 15	FITTING, ADAPTER PIPE/JIC 2021-4-6S	EA.
ARP51042	- 16	REDUCER	OBSOLETE
ARP51042	- 17	FITTING, FEMALE ELBOW 2-25BZ-B	EA.
ARP51042	- 18	FITTING, MALE ELBOW 2-2CBZ-B	EA.
ARP51042	- 19	PLUMBING, MALE PIPE ELBOW	OBSOLETE
ARP51042	- 20	FITTING, HEX NIPPLE 2083-4-4S	EA.

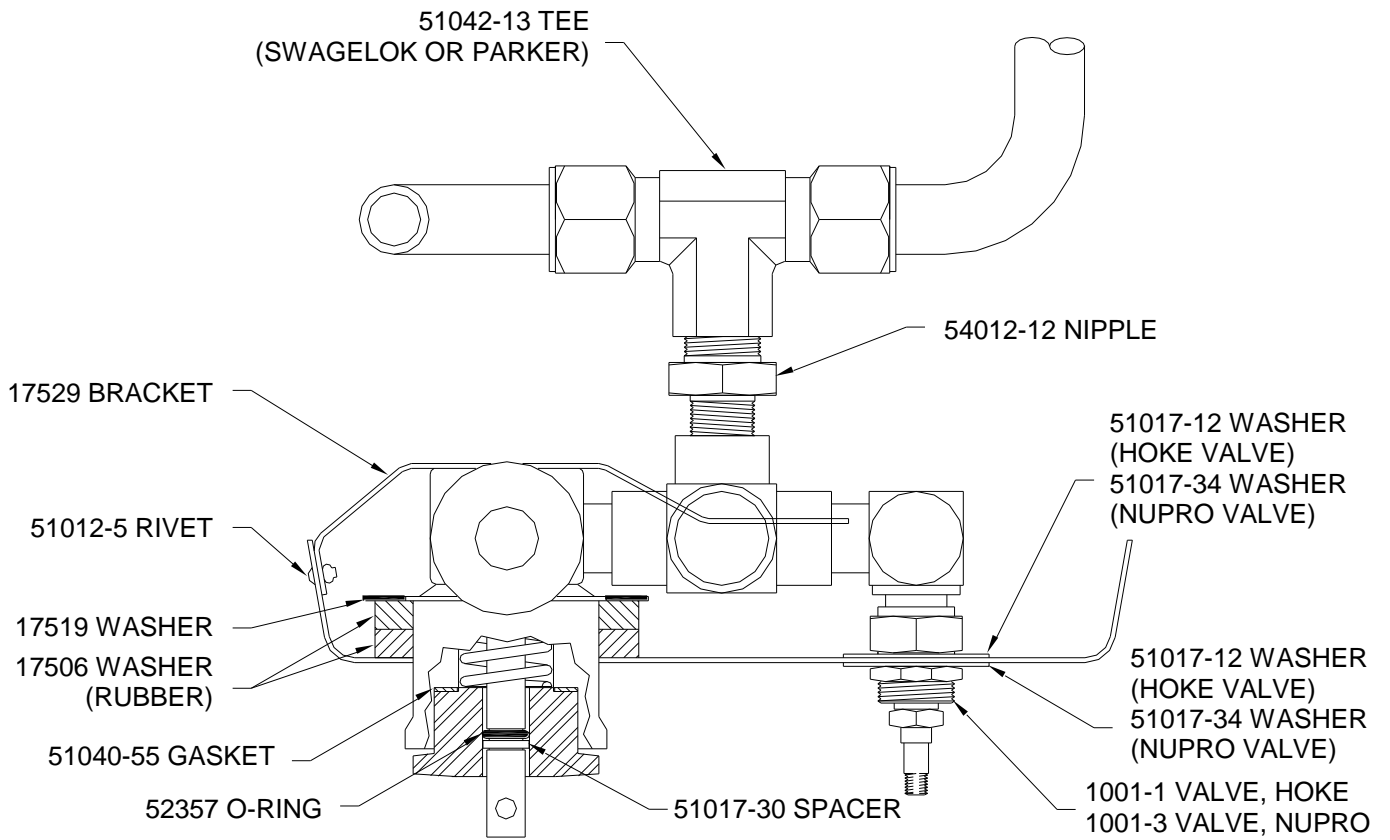
ARP51042	- 21	FITTING, CLOSE NIPPLE 2084-4S-7/8	EA.
ARP51042	- 39	FITTING, ADAPTER PIP/JIC 2022-4-4S	EA.
ARP51042	- 49	FITTING, ADAPTER STRAIGHT 2000-4-6B	EA.
ARP51042	- 78	FITTING, 45 DEG. STREET ELBOW	OBSOLETE
ARP51043	- 6	FILTER, METEX 52-0110-F071-04	EA.
ARP51043	- 26	REGULATOR PISTON NOT CURRENTLY AVAILABLE	EA.
ARP51043	- 32	VALVE, TOGGLE HANDLE ONLY SHERWOOD	OBSOLETE
ARP51411		BURNER FRAME OUTER RALLY	OBSOLETE
ARP51412		BURNER FRAME INNER RALLY	OBSOLETE
ARP51462		TRAY, HP2R DUAL INLET	OBSOLETE
ARP51470		PLUMBING, MODIFIED PIPE PLUG	OBSOLETE
ARP51479		SQUARE TUBE, HP2R DUAL INLET	OBSOLETE
ARP51865	- 2	VALVE, NUPRO B-4JNAR2 GREEN	EA.
ARP51901		PILOT HEAD ASSEMBLY	EA.
ARP51906		VALVE, PILOT TOGGLE HANDLE	OBSOLETE
ARP51909		SLUG, PILOT	EA.
ARP51911	- 1	WASHER, SLOTTED	OBSOLETE
ARP51912		VALVE ASSEMBLY, MODIFIED	OBSOLETE
ARP52380		VALVE, MODIFIED HOKE	EA.
ARP52357		O-RING, BLAST VALVE	EA.
ARP52420	- 4	HP11 COIL ASSY W/NUTS & FERS SW F	EA.
ARP52420	- 5	HP11 COIL ASSY W/NUTS & FERS PARKER	EA.
ARP52727		PRESSURE GAUGE KIT (REPLACEMENT WIKA)	EA.



BURNER ASSEMBLY
HP2R
Figure 2RB1



BURNER ASSEMBLY
HP2R DUAL INLET
Figure 2RB2



FUEL INLET SUPPORT, HP2R DUAL INLET

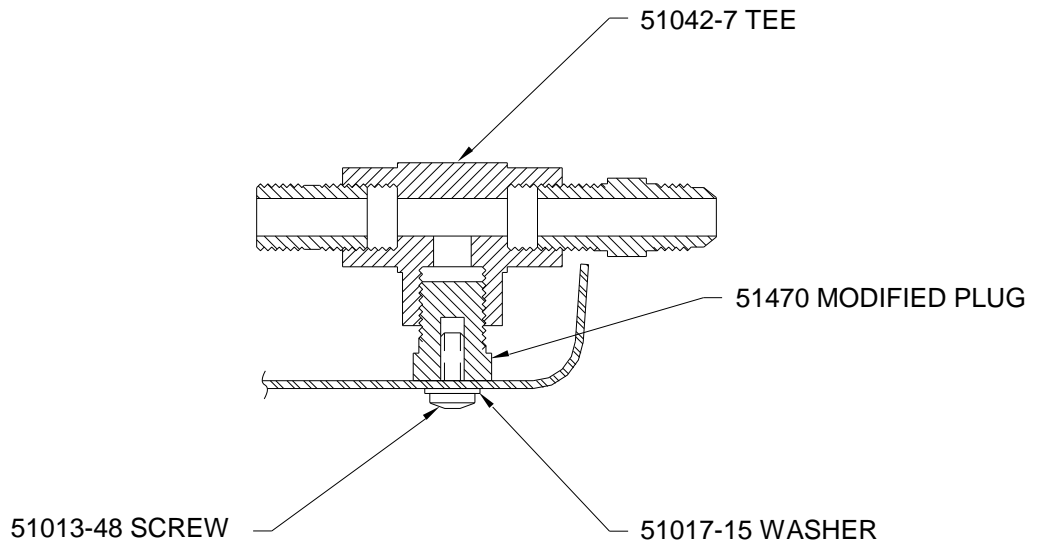
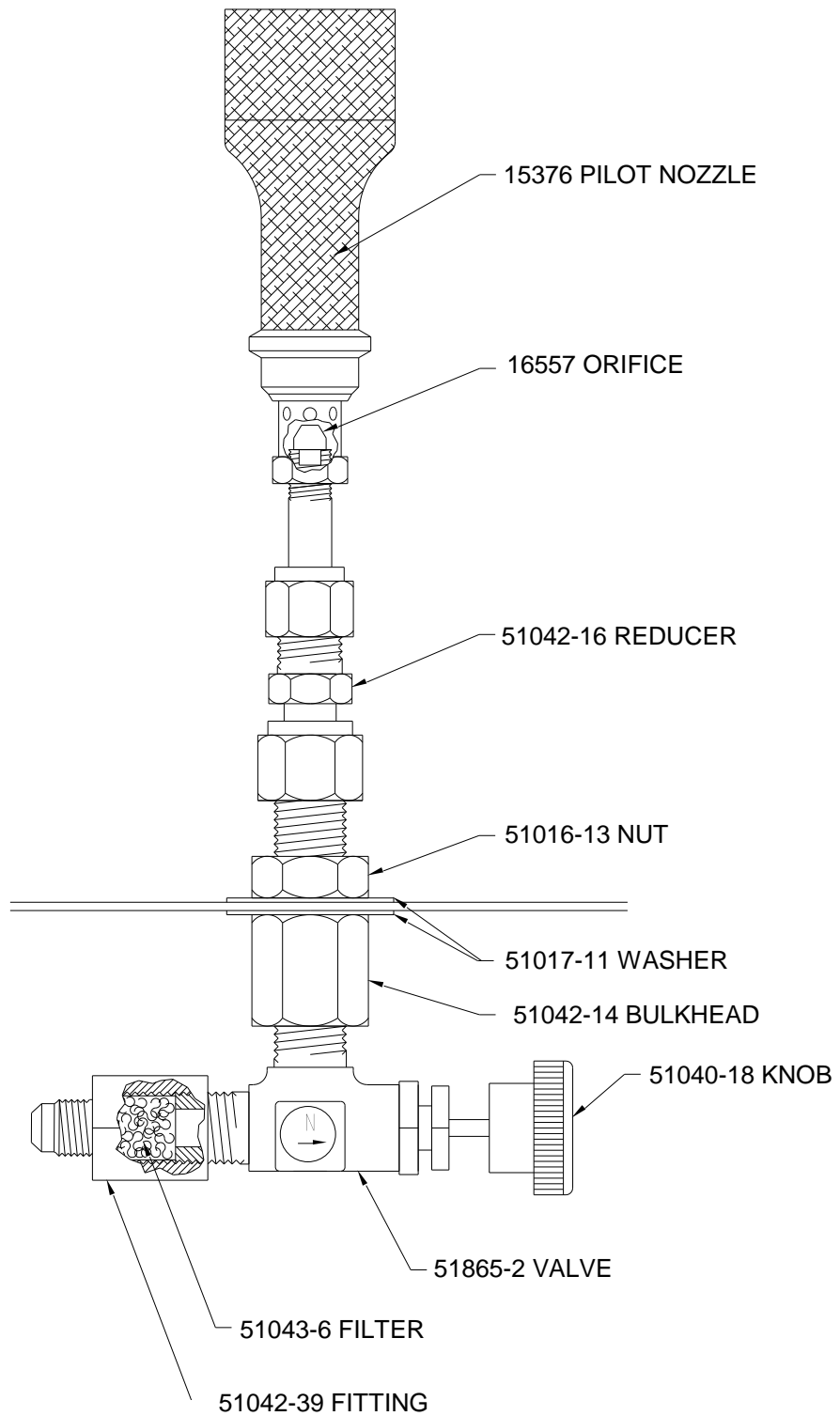
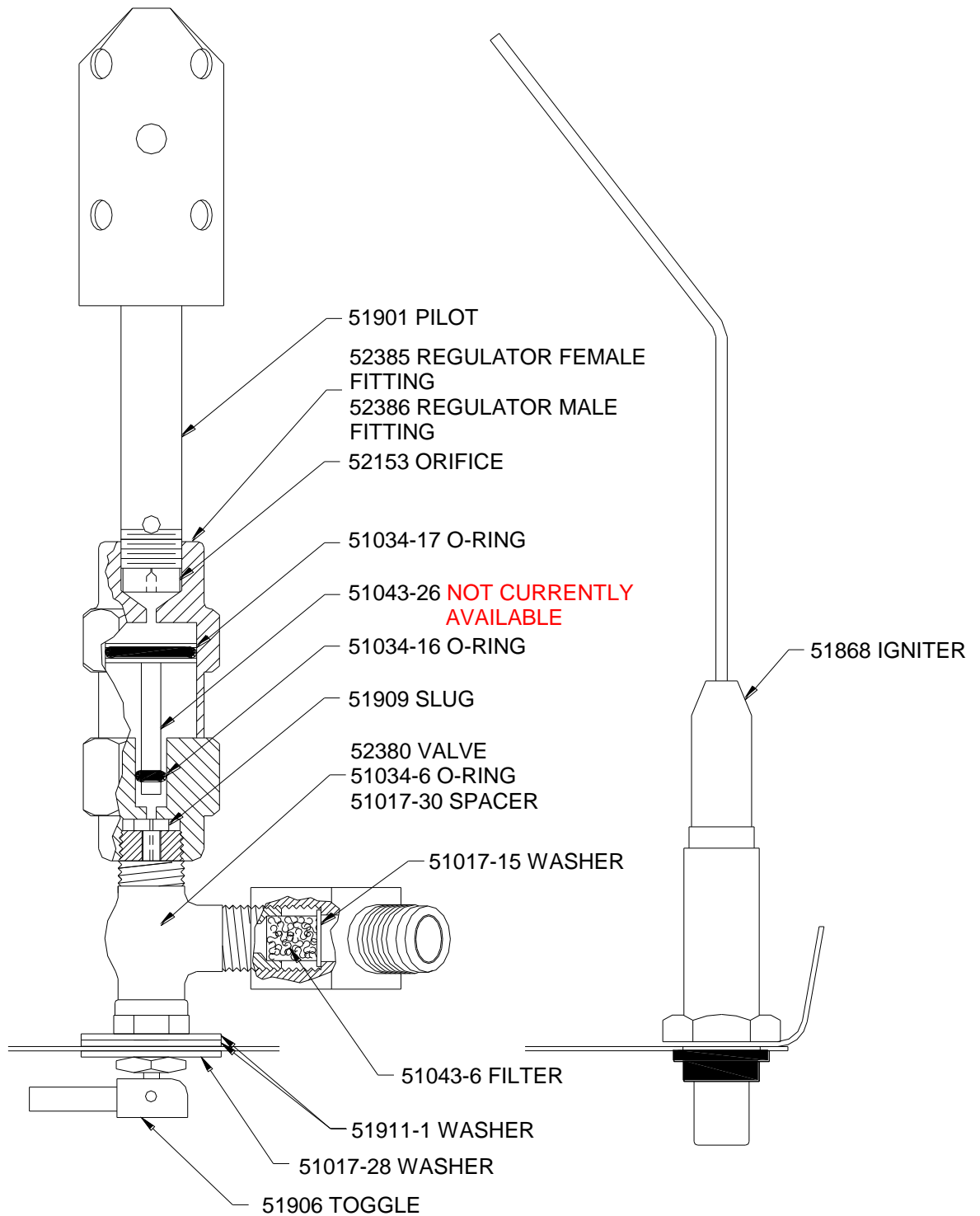


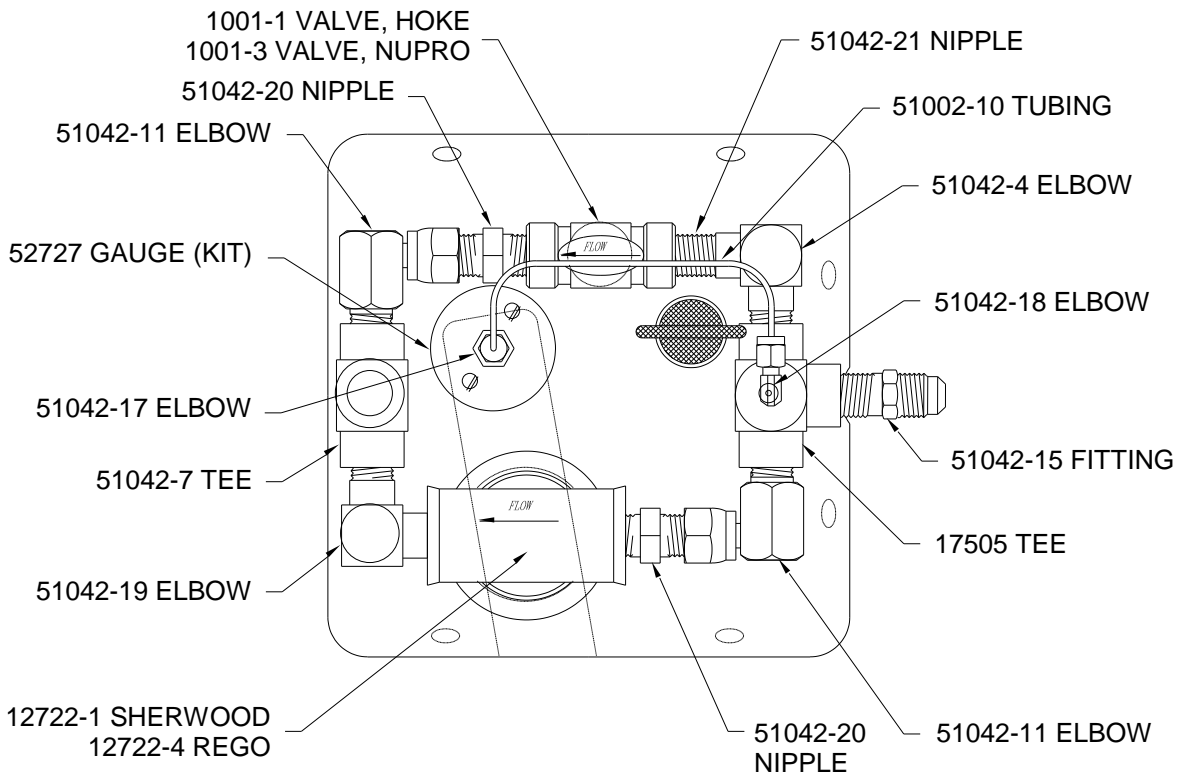
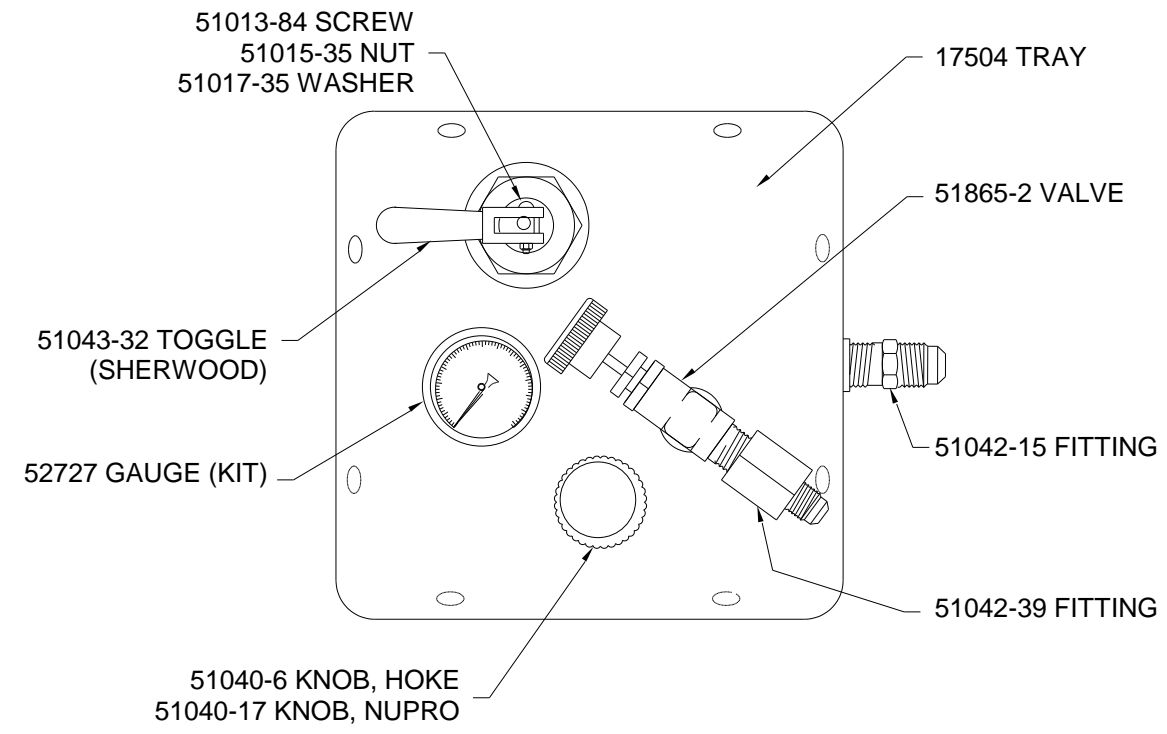
Figure 2RB3



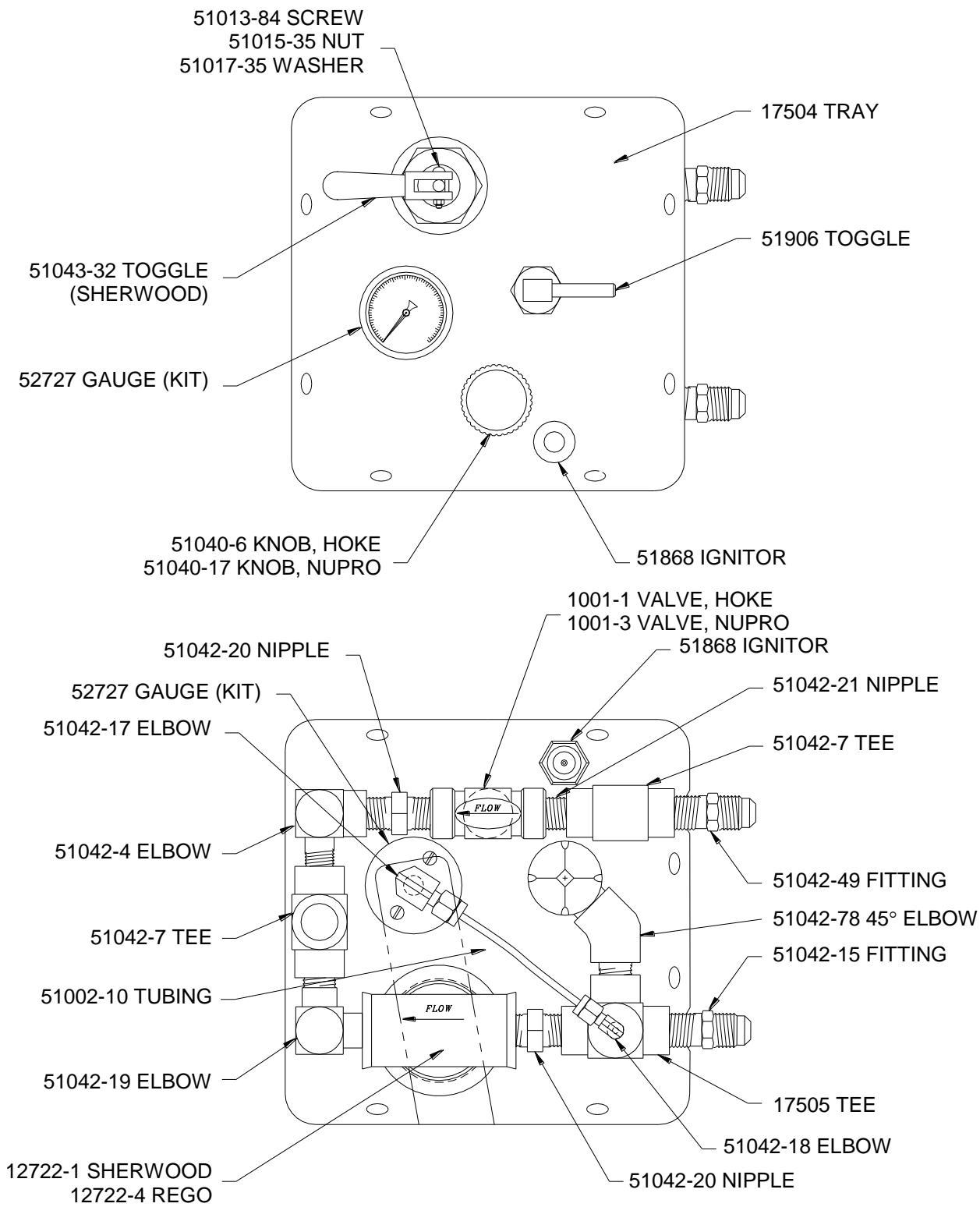
PILOT ASSEMBLY
 HP2R
 Figure 2RB4



PILOT ASSEMBLY
 HP2R DUAL INLET
 Figure 2RB5



HP2R
Figure 2RB6



HP2R DUAL INLET
Figure 2RB7

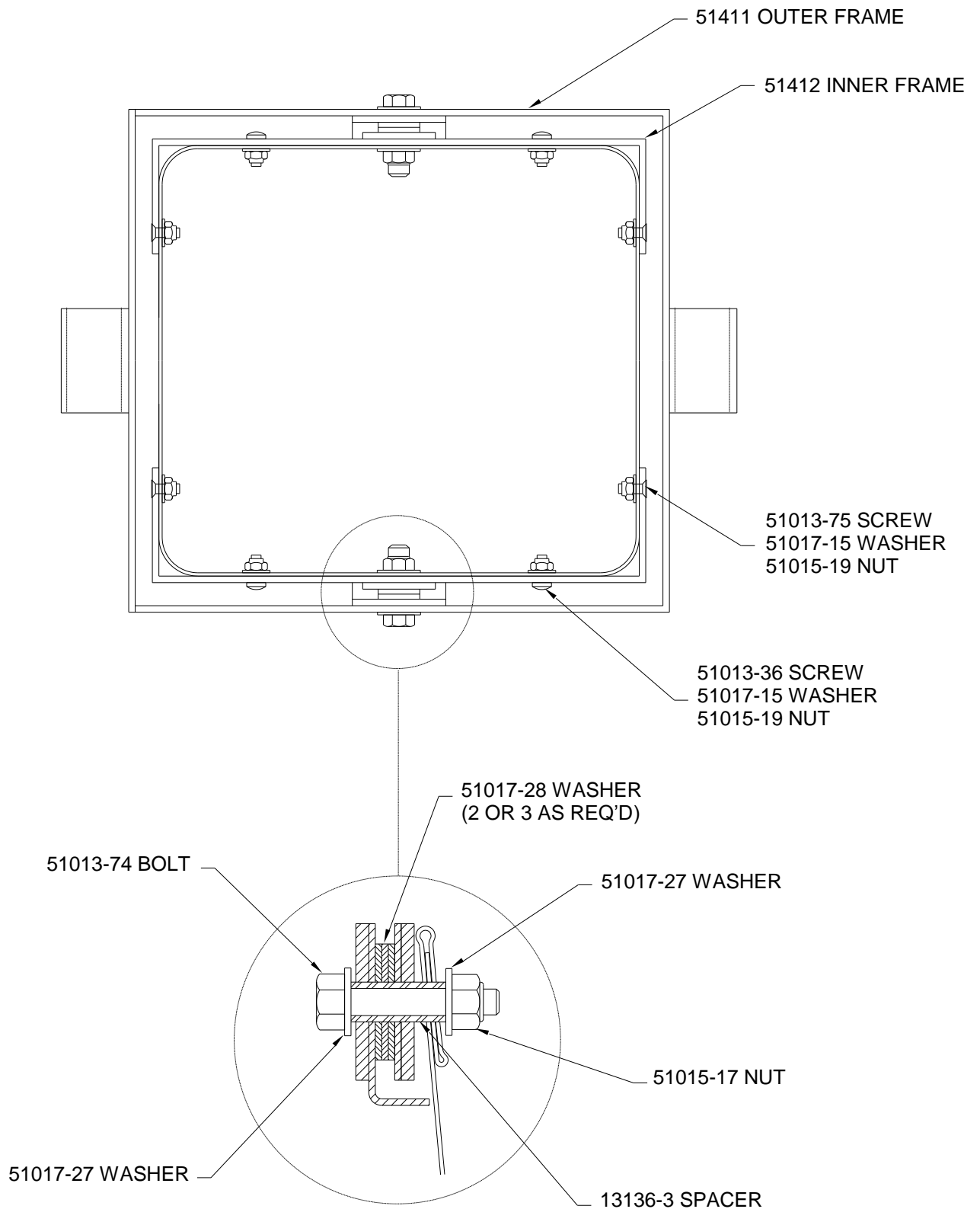


Figure 2RB8

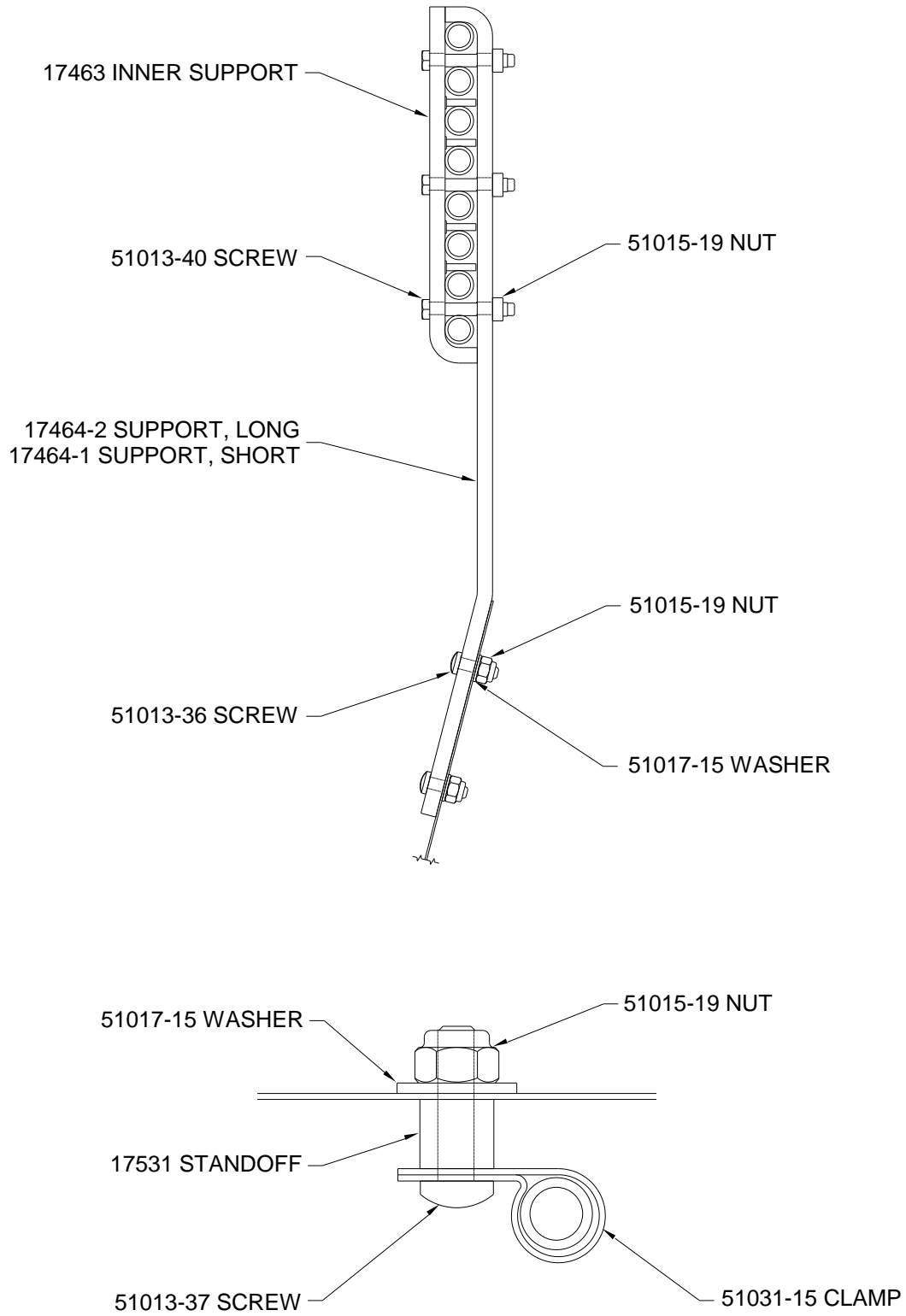


Figure 2RB9