

Parts

AUTHORITY

125 Redwood Circle, Fayetteville, Georgia 30214 770.719.9492
FAA Parts Manufacturing Authority PQ4173CE

“Your Source for Aerostar PMA Parts”

AEROSTAR PARTS MANUAL

(Parts Subject to Availability)

ZONE FIVE DUAL BURNER

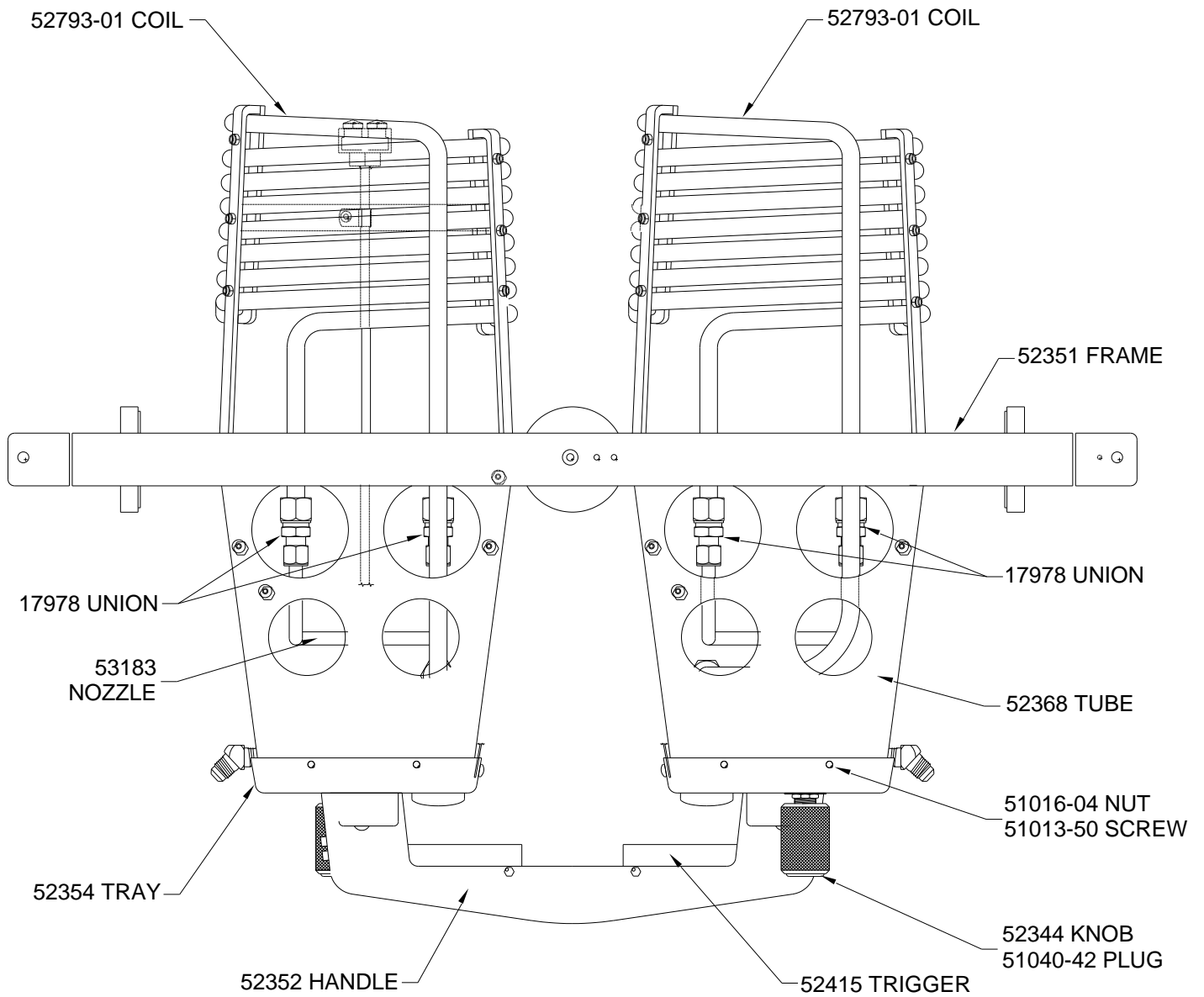
MODEL “HP3D”

Aerostar P/N 52350

PART NUMBER		DESCRIPTION	UNITS
ARP1001	- 1	VALVE, HOKE NO HANDLE	EA.
ARP12722	- 7	VALVE, SHERWOOD BURNER BONNET ASSEMBLY	EA.
ARP12722	- 8	VALVE, REGO BURNER BONNET ASSEMBLY	OBSOLETE
ARP12722	- 9	VALVE, BLAST W/O HANDLE	EA.
ARP15375		NOZZLE, AUXILIARY HEATER	EA.
ARP17463		COIL SUPPORT INNER, REV. C	EA.
ARP17464	- 1	COIL SUPPORT OUTER-SHORT	EA.
ARP17464	- 2	COIL SUPPORT OUTER-LONG	EA.
ARP17506		WASHER, RUBBER BLAST VALVE	EA.
ARP17519		WASHER, BACKUP BLAST VALVE	EA.
ARP17531		CLAMP, STANDOFF COIL	EA.
ARP17978		UNION RESTRICTED	EA.
ARP51002	- 10	COPPER TUBE .125OD X .030 WALL	FT.
ARP51011	- 13	ROLL PIN 3/16 X 1 1/4	EA.
ARP51011	- 17	ROLL PIN 5/32 X 5/8 PLATED	EA.
ARP51011	- 20	ROLL PIN 3/16 X 1 IN	EA.
ARP51011	- 24	PIN, 7/32 X 1 3/4 TYPE 24 SS	EA.
ARP51011	- 25	PIN, 7/32 X 3/4 TYPE 2A SS	EA.
ARP51012	- 13	TREE CLIP PC47580 BLACK	EA.
ARP51013	- 7	SCREW, MACHINE MS51958-63	EA.
ARP51013	- 36	SCREW, MACHINE 10-32 X 5/8	EA.
ARP51013	- 37	SCREW, MACHINE 10-32 X 3/4	EA.
ARP51013	- 40	SCREW, 10-32 X 1 1/2 HEX HEAD SS	EA.
ARP51013	- 50	SCREW, PAN HEAD 10-24 X 3/8	EA.
ARP51013	- 53	SCREW, AN509-416-27 1/4 IN FLAT HEAD	EA.
ARP51013	- 88	SCREW, 1/4-20 X 1/2 BH CAP SOC SCREW	EA.
ARP51013	- 89	SCREW, SOC HEAD CAP 8-32 X 5/8 SS	EA.
ARP51013	- 90	SCREW, 8-32 X 1/2 SOC HD CAP	EA.
ARP51013	- 91	SCREW, 1/4-20 X 2 HEX HD GRADE 5	EA.
ARP51013	- 106	SCREW, 6-32 X 14 SS BUTTON HEAD SOC CAP	EA.
ARP51013	- 113	SCREW, 10-32 X 1/2 SQUARE DRIVE PAN HEAD	EA.
ARP51013	- 115	SCREW, 10-32 X 3/4 SQUARE DRIVE PAN HEAD	EA.
ARP51013	- 117	SCREW, 4-40 X 1/4 SS BUTTON HEAD SOC CAP	EA.
ARP51014	- 26	SCREW, 8-32 X 3/16 NYLON HEX HEAD	EA.
ARP51015	- 19	NUT, MS20500-1032 HI TEMP	EA.
ARP51015	- 39	NUT, HEX 6-32 SS	EA.
ARP51015	- 41	NUT, LOCKING 4-40 KEPS	EA.
ARP51016	- 3	NUT, WING 10-32 SS	EA.
ARP51016	- 4	NUT, SPEED ARDEN C8044-1024-3B	EA.
ARP51016	- 15	COUPLING, HEX THREADED 1/4-20 X 3/4	EA.
ARP51016	- 16	NUT BRASS, JAM 450-8	EA.
ARP51017	- 1	WASHER, 1/4 PLAIN AN960-C416	EA.
ARP51017	- 12	WASHER, 5/8 AN960C1016L	EA.
ARP51017	- 13	WASHER, 3/8	EA.
ARP51017	- 15	WASHER, SS MS15795-841	EA.
ARP51017	- 30	SPACER, TEFLON 161 X. 250 X .050	EA.
ARP51017	- 34	WASHER, 1.125OD X .450 ID X .048 THK	EA.
ARP51017	- 36	WASHER, AN960-C8	EA.
ARP51017	- 40	WASHER, WAVE SPRING 92161A032	EA.
ARP51027	- 16	FIBERGLASS SLEEVE PIEZO	FT.
ARP51031	- 15	CLAMP, LOOP TA715SS06	EA.
ARP51031	- 16	CLAMP, LOOP TA715SS05	EA.
ARP51031	- 18	CLAMP. LOOP TA715SS08	EA.
ARP51031	- 19	CLAMP, LOOP TA715SS02	EA.
ARP51034	- 1	C-RING, INDUSTRIAL 1200-9	EA.
ARP51034	- 5	O-RING, BACKUP REGO (TEFLON SPLIT RING)	EA.

PART NUMBER		DESCRIPTION	UNITS
ARP51034	- 6	O-RING, PARKER 2-007-N103-7	EA.
ARP51034	- 10	E-RING, 1000-15	EA.
ARP51034	- 16	O-RING, REGULATOR, SMALL	EA.
ARP51034	- 17	O-RING, REGULATOR, LARGE	EA.
ARP51040	- 42	PLUG, 7/8 HOLE 62PP087BM11	EA.
ARP51040	- 43	BEARING, THRUST NTA-815	EA.
ARP51040	- 44	WASHER, THRUST TRB-815	EA.
ARP51040	- 45	WASHER, THRUST TRC-185	EA.
ARP51040	- 55	GASKET, COPPER	EA.
ARP51042	- 8	FITTING, PLUG 1/4 PIPE	EA.
ARP51042	- 11	FITTING, ELBOW 90 DEG. SWIVEL 2047-4-4S	EA.
ARP51042	- 17	FITTING, FEMALE ELBOW 2-25BZ-B	EA.
ARP51042	- 18	FITTING, MALE ELBOW 2-2CBZ-B	EA.
ARP51042	- 21	FITTING, CLOSE NIPPLE 2084-4S-7/8	EA.
ARP51042	- 38	FITTING, PIPE FITTING 2045-4-4S	EA.
ARP51042	- 91	FITTING, ELBOW 90 DEG SWIVEL 2048-4-4S	EA.
ARP51042	- 92	FITTING, MALE CLOSE NIPPLE 4-4 MCHN SS	EA.
ARP51042	- 93	FITTING, MALE BRANCH TEE 8-8-6SBZ	EA.
ARP51042	- 94	FITTING, ADAPTER 3/8 TO 1/4 0107-4-6	EA.
ARP51042	- 95	FITTING, ELBOW 90 DEG BRASS 1202P-4-4	EA.
ARP51042	- 98	FITTING, ADAPTOR 45 2023-4-6S	EA.
ARP51042	- 111	FITTING, 1/4 TUBE / 1/4 PIPE 4-46BZ-SS	EA.
ARP51043	- 6	FILTER, METEX 52-0110-F071-04	EA.
ARP51043	- 26	REGULATOR PISTON NOT CURRENTLY AVAILABLE	EA.
ARP51043	- 29	VALVE, HOKE 1523M4B1, NO HANDLE	EA.
ARP51043	- 42	SPACER KIT, METERING VALVE	EA.
ARP51043	- 43	VALVE, HOKE STEM ONLY (METERING)	EA.
ARP51043	- 44	WASHER, RUBBER 1/4 ID X 1/2OD X 1/32THK	EA.
ARP51043	- 53	SPRING, GLOW HANDLE	EA.
ARP51901		PILOT HEAD ASSEMBLY	EA.
ARP51902		FITTING, MODIFIED CROSS 2080-4-4S	EA.
ARP51907		PILOT HEAD	EA.
ARP51909		SLUG, PILOT	EA.
ARP51910		VALVE, BONNET ASSEMBLY HOKE	EA.
ARP51911	- 2	WASHER, SLOTTED .048 THK.	EA.
ARP51943	- 44	WASHER, .25 ID X .500 OD X .031	EA.
ARP52153		ORIFICE UPDATE [M]PILOT	EA.
ARP52230		VALVE, PILOT STEM	EA.
ARP52311		TRIGGER PIVOT BLOCK	EA.
ARP52343		PLATE, HOLD DOWN, BLAST VALVE	EA.
ARP52344		KNOB, METERING	EA.
ARP52345		BUSHING, GIMBAL	EA.
ARP52348		END PLATE	EA.
ARP52349		GIMBAL BRACKET	EA.
ARP52351		BURNER FRAME HPIII DUAL	EA.
ARP52352		TRIGGER HANDLE	EA.
ARP52354		TRAY, HPIII DUAL	EA.
ARP52355		SPRING, GIMBAL	EA.
APR52357		O-RING, BLAST VALVE	EA.
APR52359	- 3	PIN, GLOW HANDLE	EA.
ARP52359	- 4	PIN, PILOT HANDLE	EA.
ARP52360		HANDLE, PILOT VALVE	EA.
ARP52361		VALVE, PILOT HANDLE BARREL	EA.
ARP52365		TRIGGER LINK	EA.
ARP52368		SQUARE TUBE	EA.
ARP52371		SPRING CUP 1/2	EA.

PART NUMBER		DESCRIPTION	UNITS
ARP52372		GIMBAL BLOCK	EA.
ARP52374		SPACER, GIMBAL	EA.
ARP52375		FITTING, XYZ FITTING 90 DEGREE ELBOW MODIFIED	EA.
ARP52378		SPRING CUP 9/32 IN	EA.
ARP52380		VALVE, HOKE MODIFIED	EA.
ARP52389		SPACER, BLAST VALVE	EA.
ARP52385		REGULATOR FEMALE FITTING	EA.
ARP52386		REGULATOR MALE FITTING	EA.
ARP52396		PIN, TRIGGER	EA.
ARP52415		TRIGGER SUBASSEMBLY	EA.
ARP52418		ASPIRATOR SUMP ASSEMBLY	EA.
ARP52420	- 3	HPIII COIL ASSY W/NUTS AND FERRULES	EA.
ARP52726		PRESSURE GAUGE, ASSEMBLY	EA.
ARP52727		PRESSURE GAUGE KIT (REPLACEMENT WIKA)	EA.
ARP52793	- 1	COIL ASSEMBLY, HPIII REPLACEMENT ONLY	EA.
ARP52822		PIEZO IGNITER W/FIBERGLASS SLEEVE	EA.
ARP52982		FITTING, "W, X, Y, Z" FITTING	EA.
ARP52983		NOZZLE, GLOW	EA.
ARP53005		BRACKET, HP3S GLOW	EA.
ARP53035		HANDLE, GLOW BURNER	EA.
ARP53183		NOZZLE COIL W/ASPIRATOR	EA.
ARP53186		UNION RESTRICTED, HPIII UPDATE	EA.



BURNER ASSEMBLY,
HPIII DUAL

Figure DB1

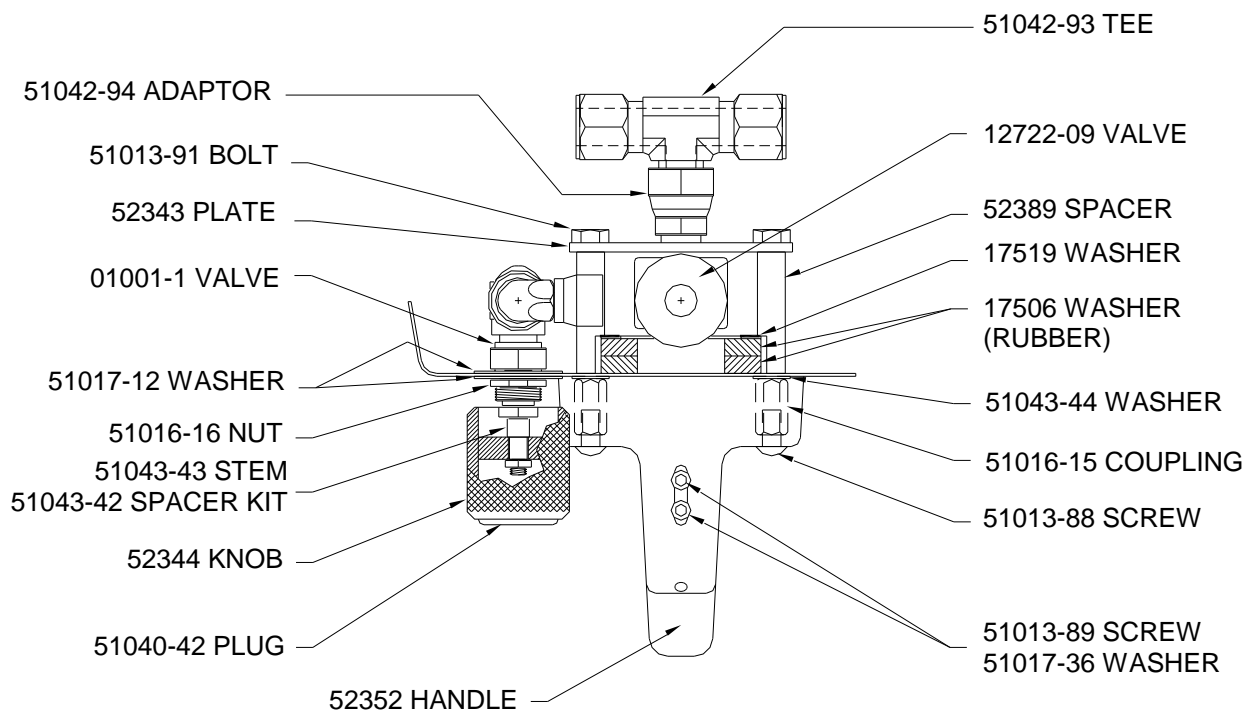
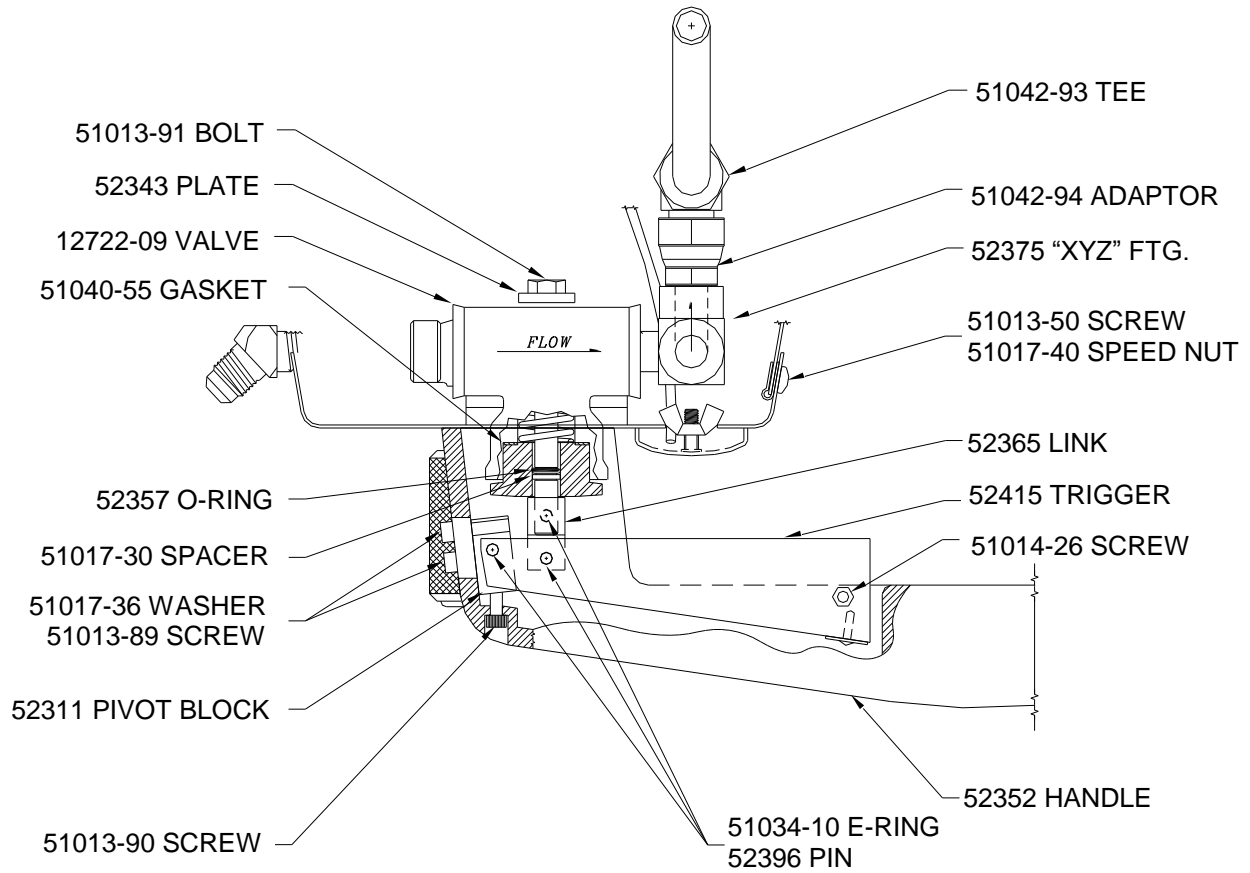


Figure DB2

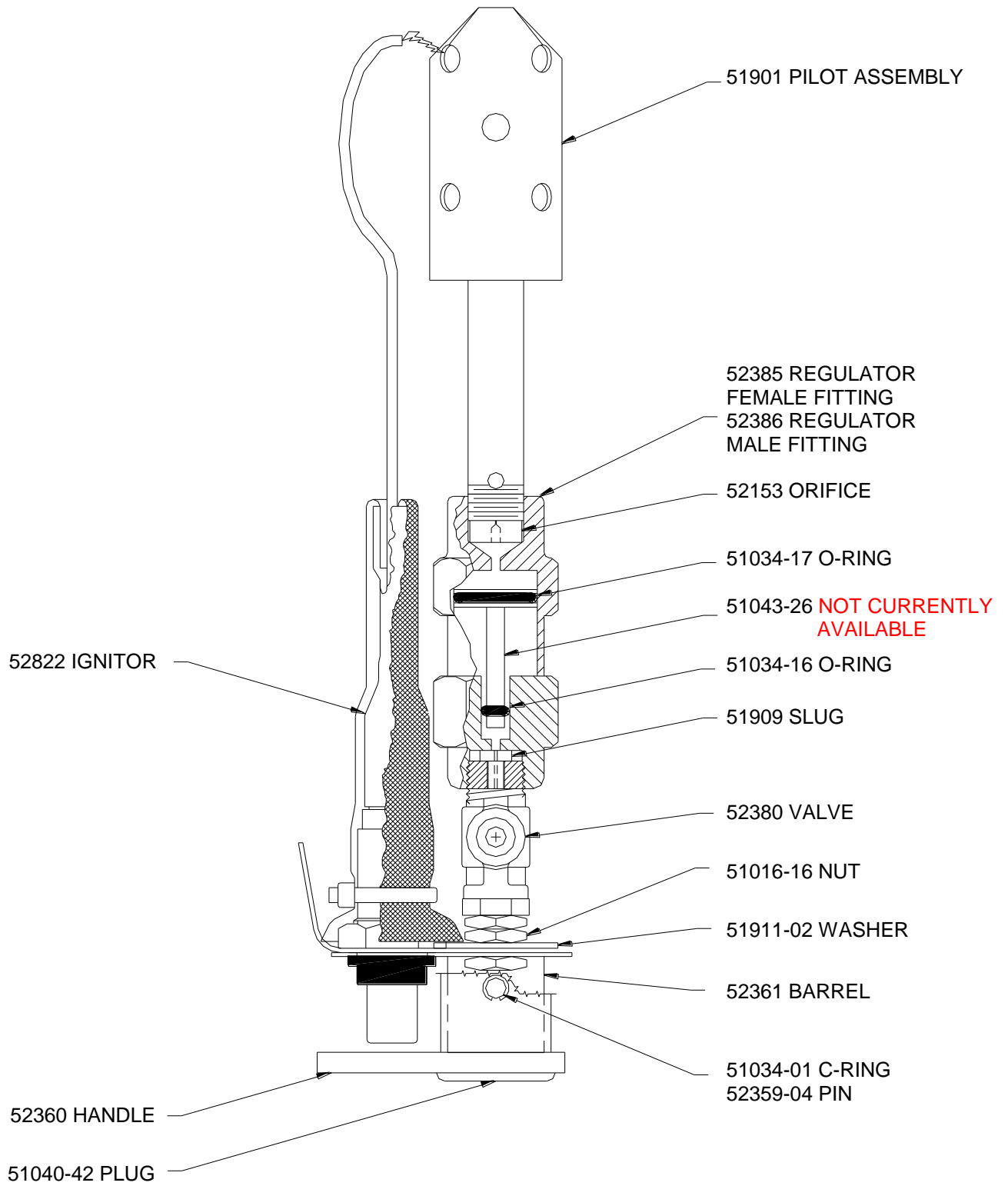
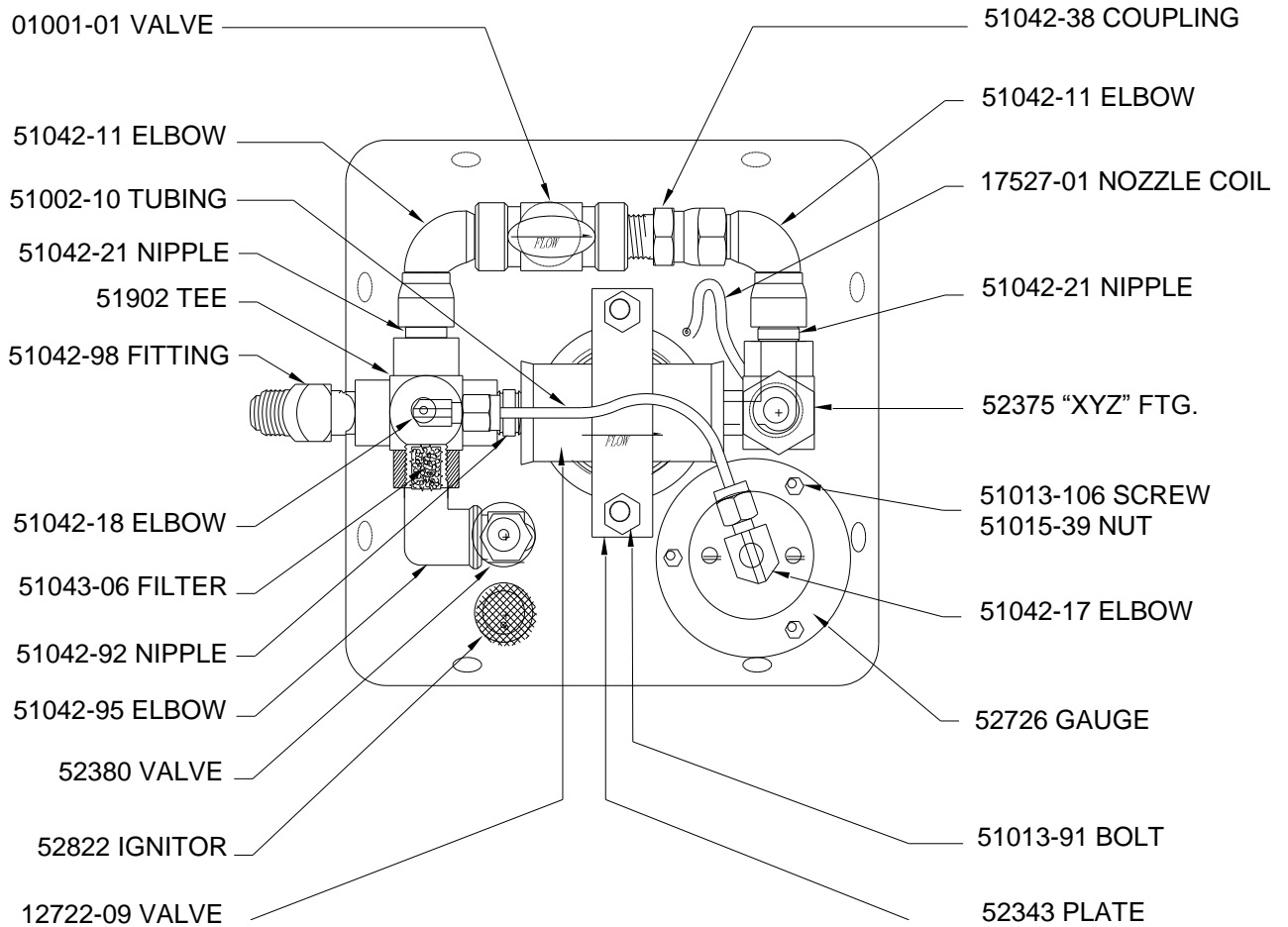
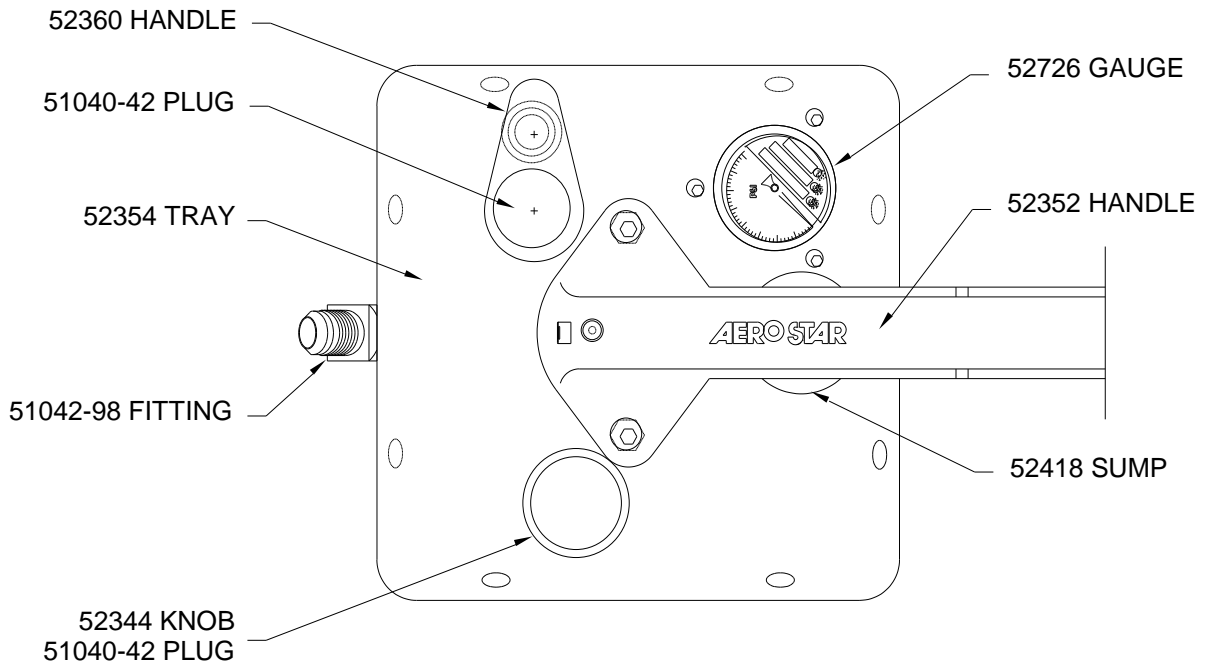
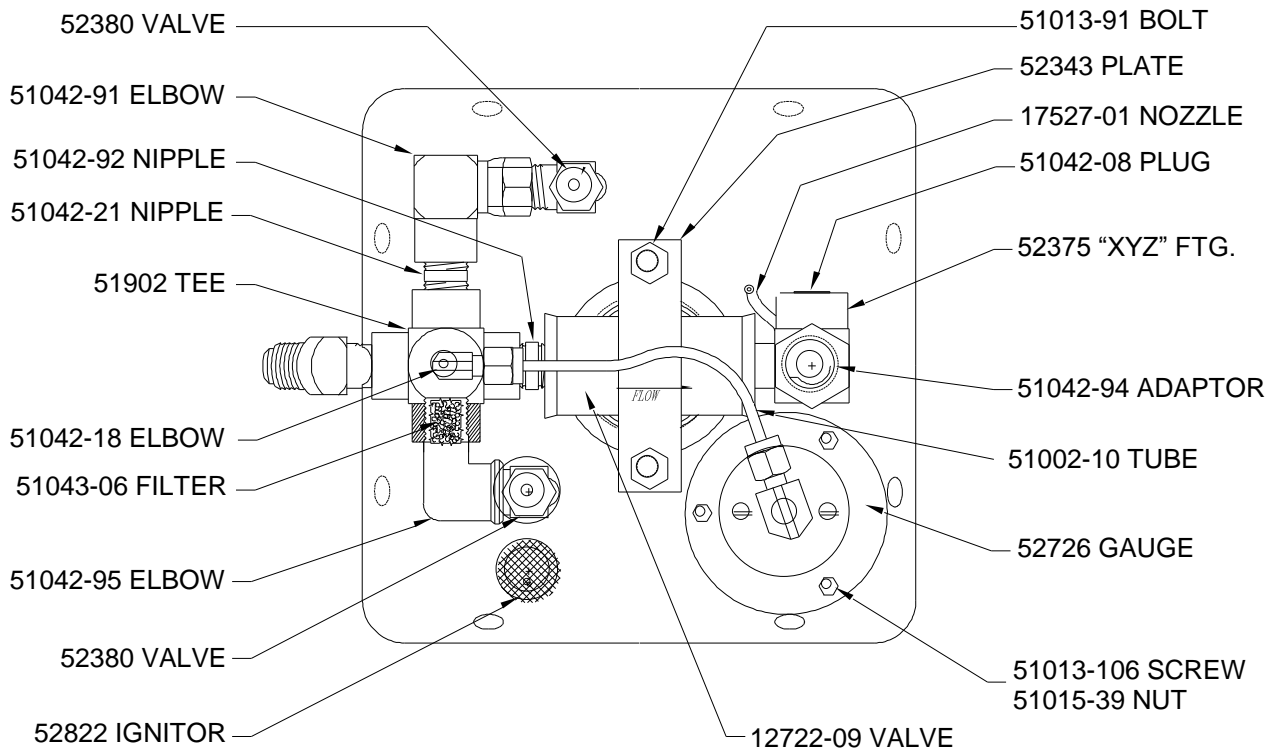
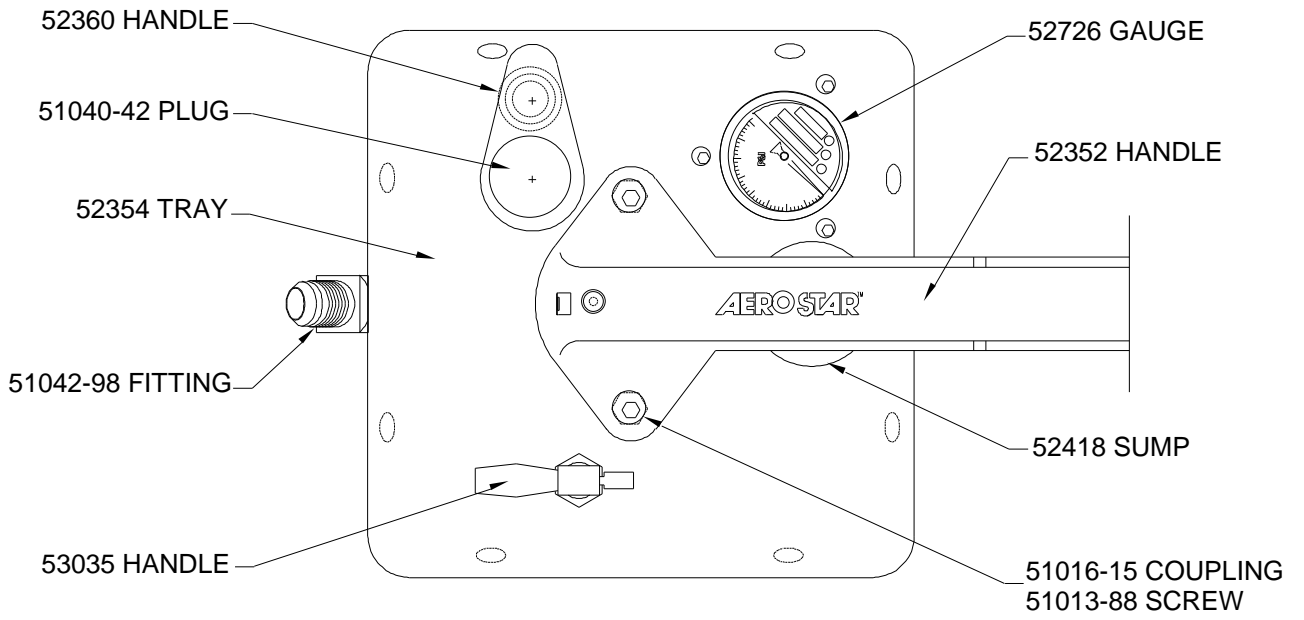


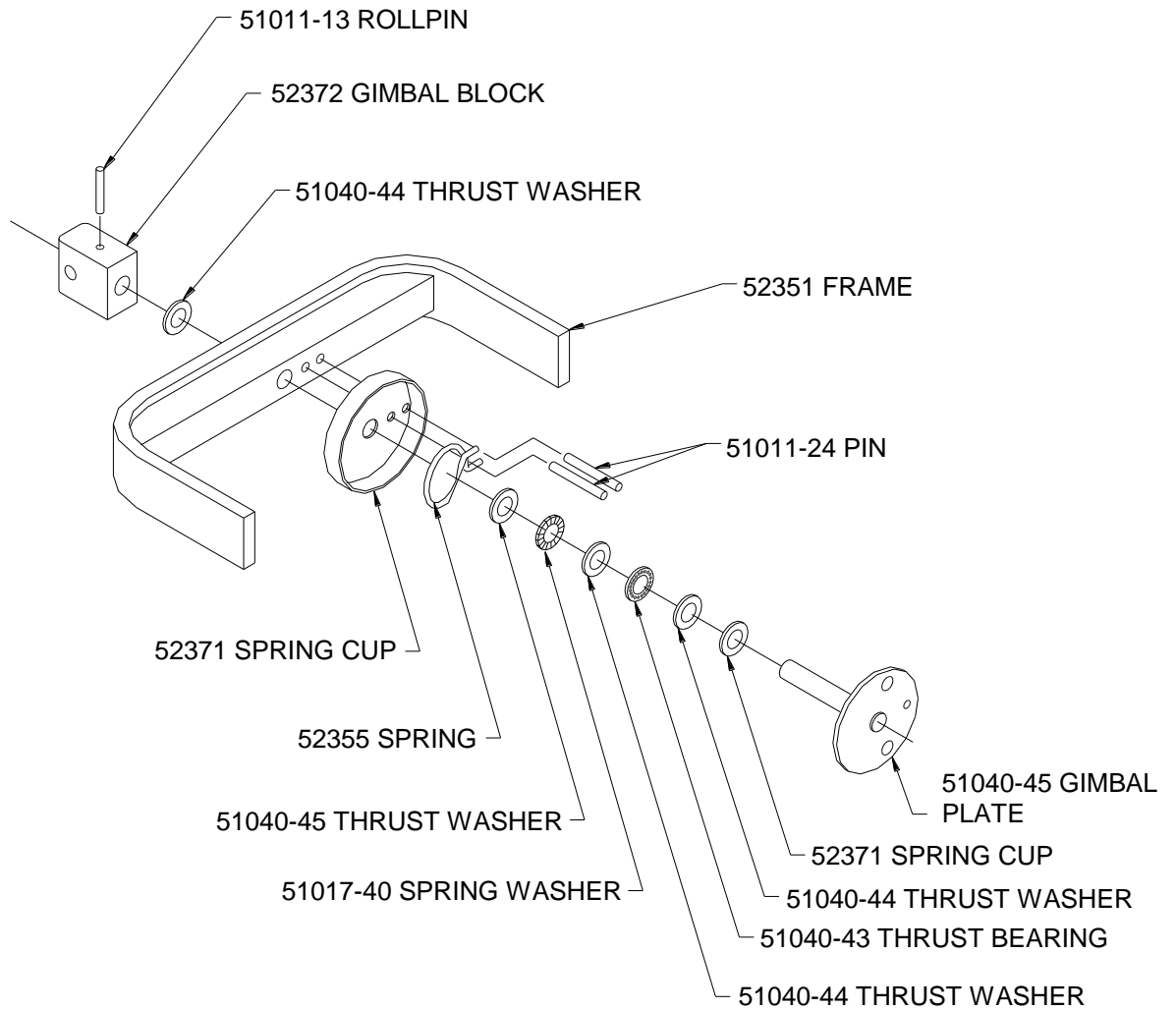
Figure DB3



STD. PLUMBING
Figure DB4

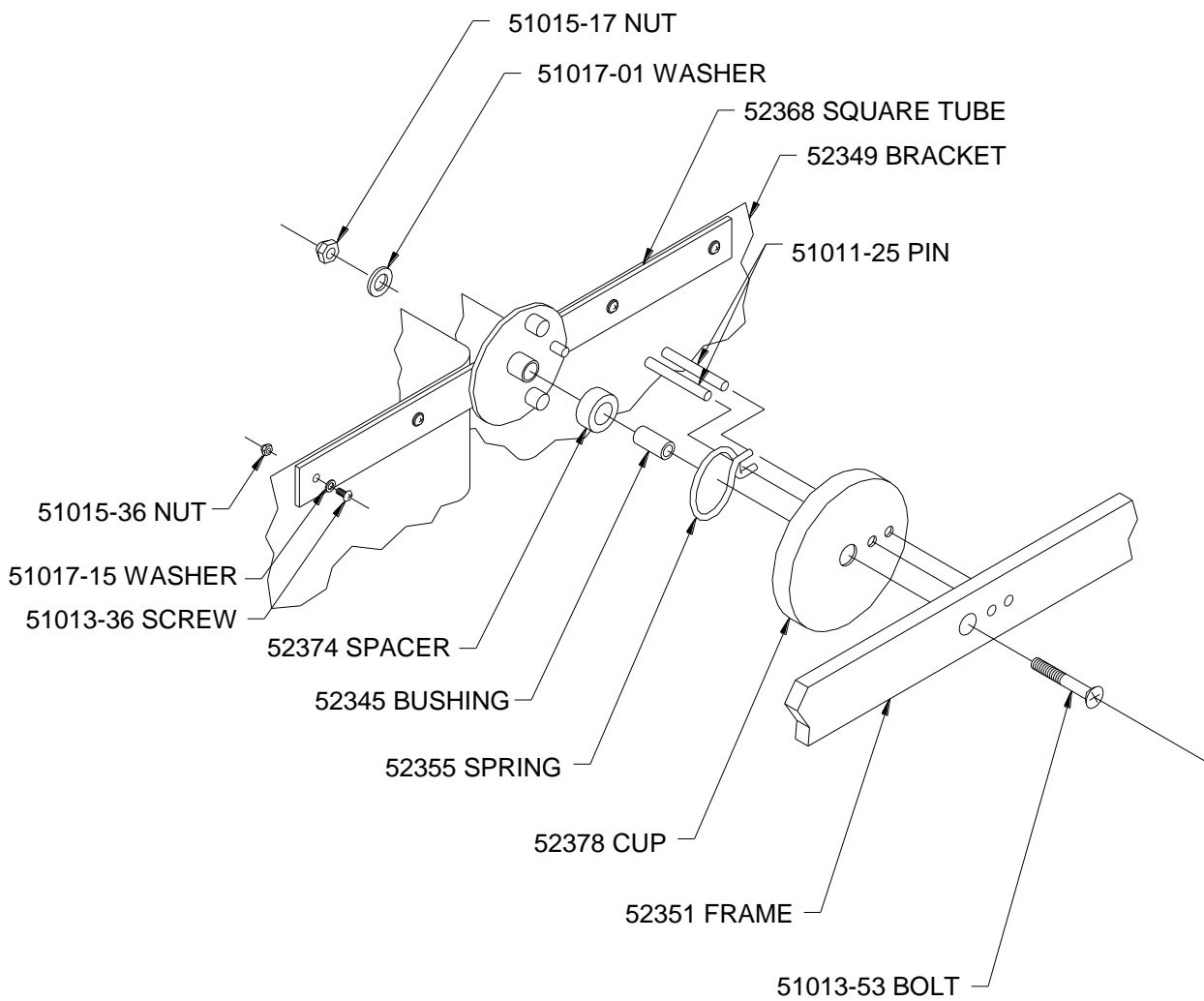


GLOW PLUMBING
Figure DB5



GIMBAL SPRING & PIVOT MECHANISM - BOTH ENDS

Figure DB6



GIMBAL SPRING & PIVOT MECHANISM - SIDES

Figure DB7

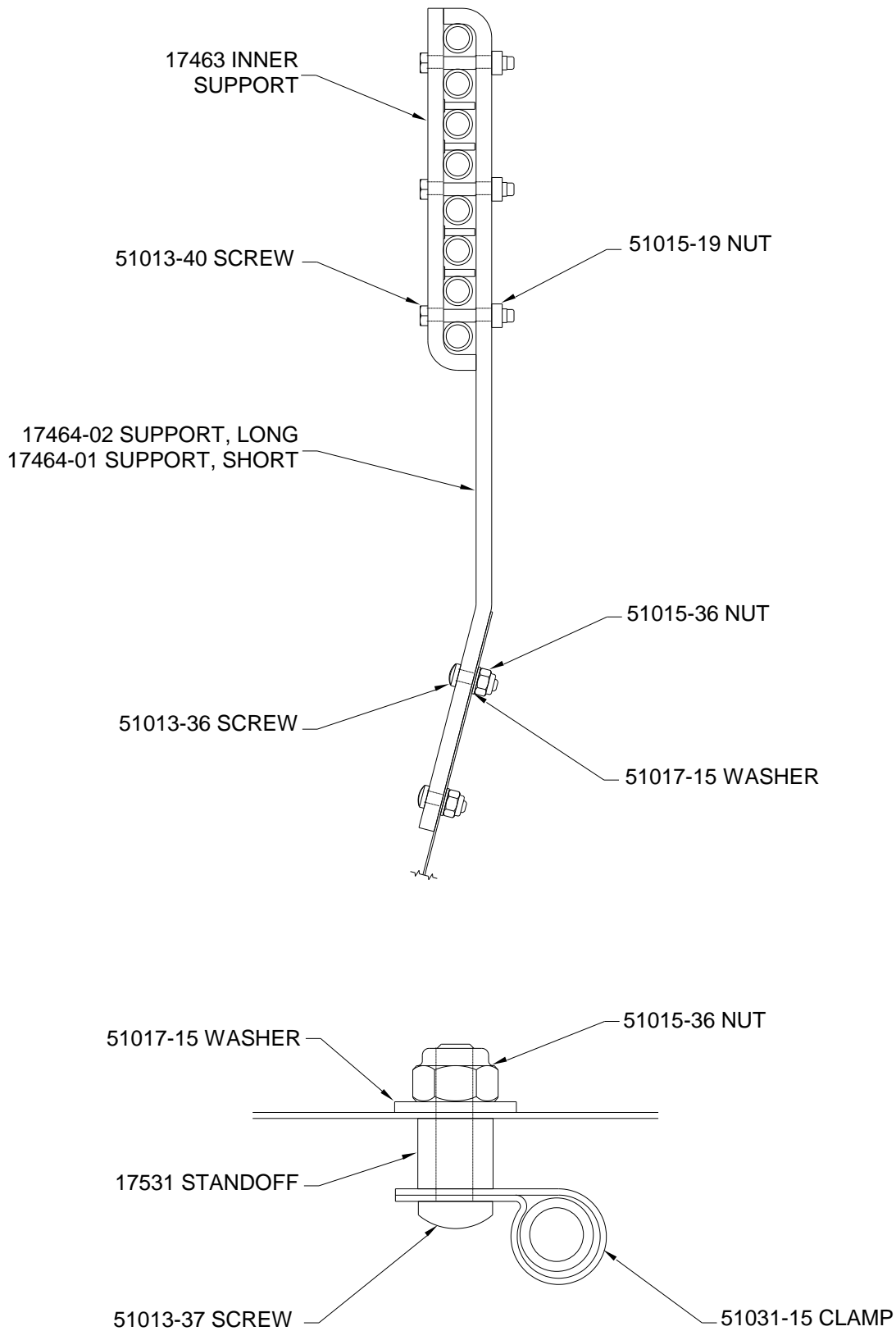


Figure DB8

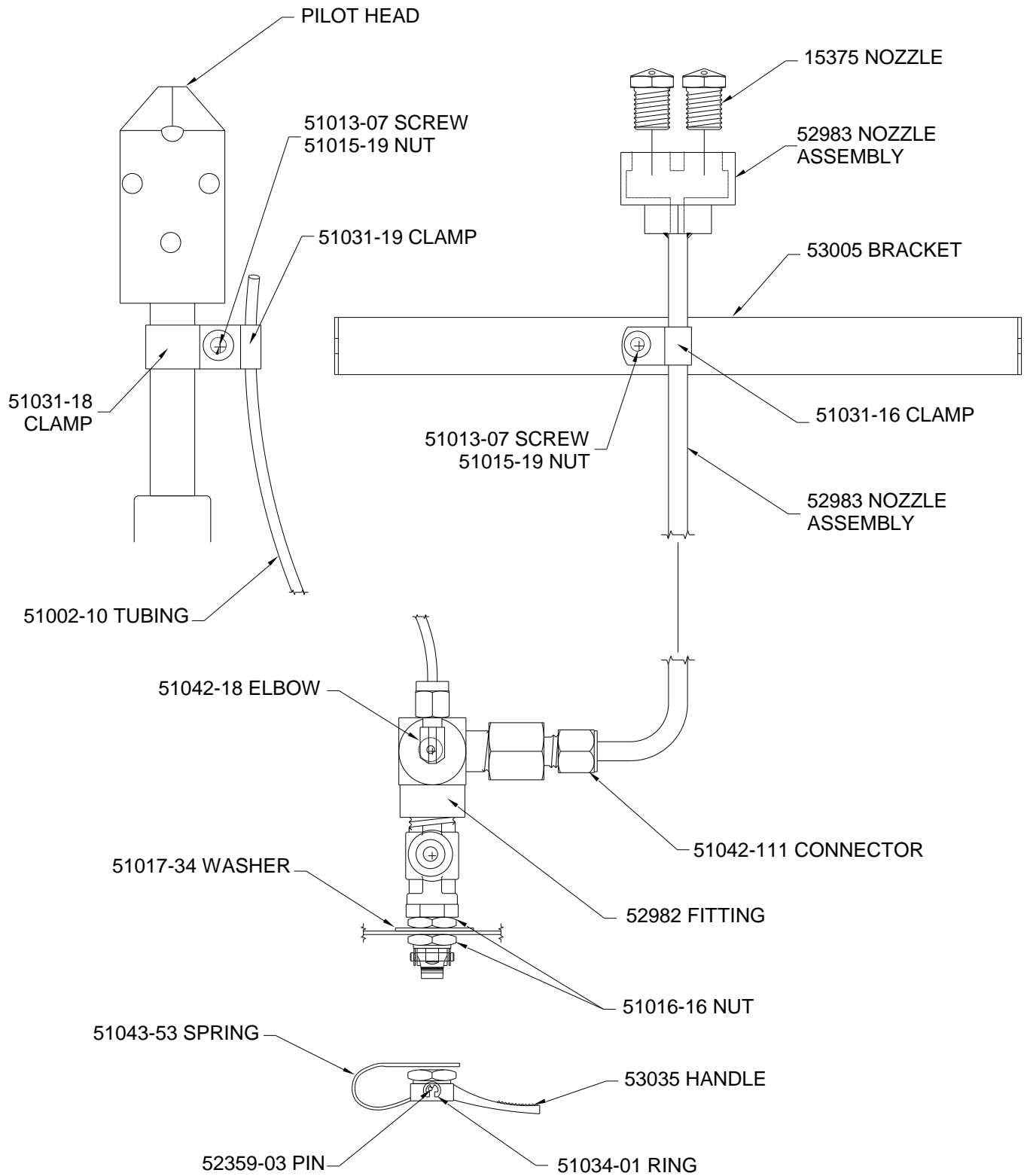


Figure DB9