

***Parts***

**AUTHORITY**

125 Redwood Circle, Fayetteville, Georgia 30214 770.719.9492  
FAA Parts Manufacturing Authority PQ4173CE

***“Your Source for Aerostar PMA Parts”***

# AEROSTAR PARTS MANUAL

*(Parts Subject to Availability)*

ZONE FIVE TRIPLE BURNER

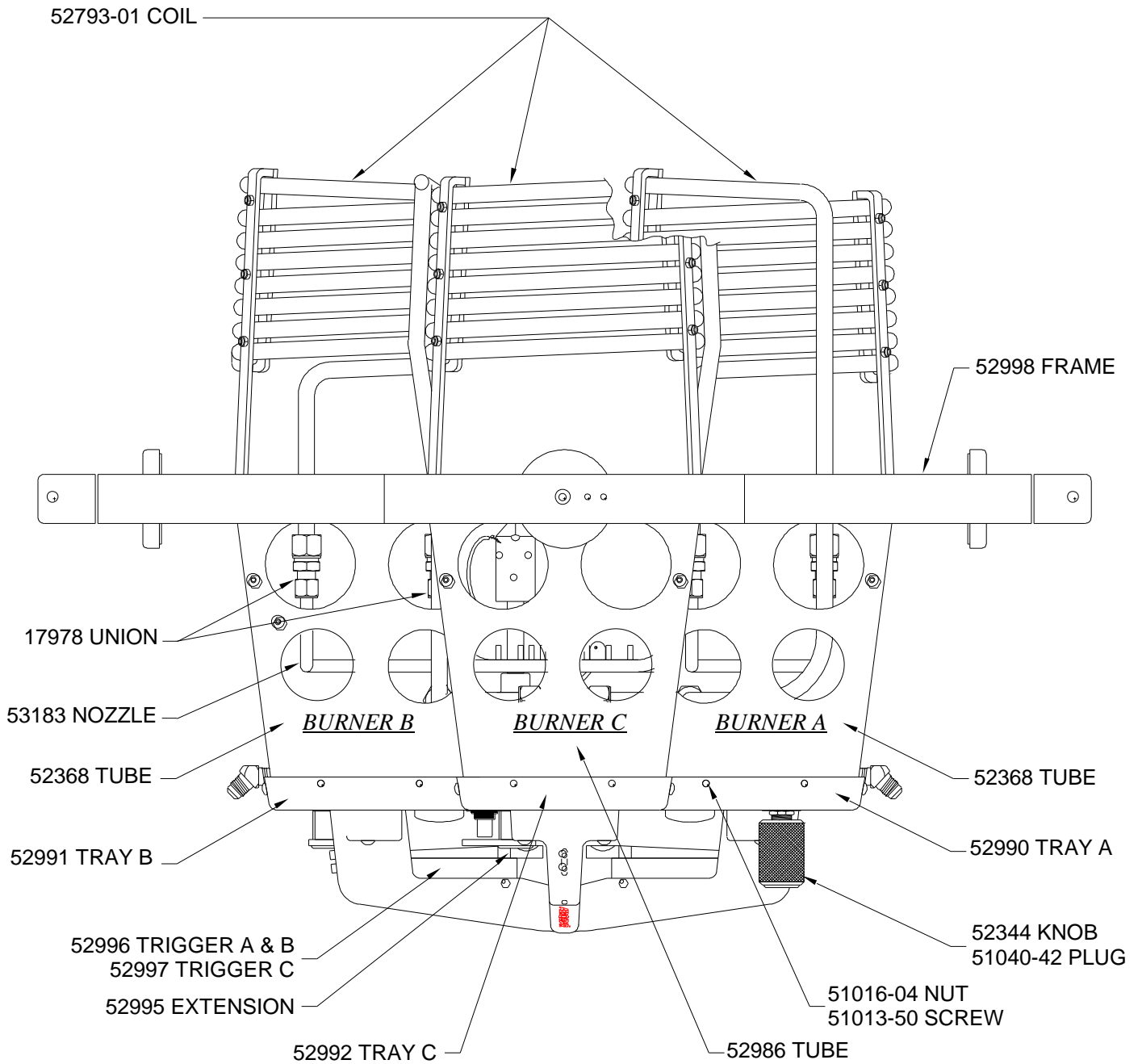
MODEL “HP3T”

Aerostar P/N 52950

PART NUMBER		DESCRIPTION	UNITS
ARP1001	- 1	VALVE, HOKE NO HANDLE	EA.
ARP12722	- 9	VALVE, BLAST W/O HANDLE	EA.
ARP12722	- 8	VALVE, REGO BURNER BONNET ASSEMBLY	OBSOLETE
ARP12722	- 7	VALVE, SHERWOOD BURNER BONNET ASSEMBLY	EA.
ARP17212		PLATE	EA.
ARP17463		COIL SUPPORT INNER, REV. C	EA.
ARP17464	- 2	COIL SUPPORT OUTER-LONG	EA.
ARP17464	- 1	COIL SUPPORT OUTER-SHORT	EA.
ARP17505		FITTING, MODIFIED TEE	EA.
ARP17506		WASHER, RUBBER BLAST VALVE	EA.
ARP17519		WASHER, BACKUP BLAST VALVE	EA.
ARP17531		CLAMP, STANDOFF COIL	EA.
ARP17978		UNION RESTRICTED	EA.
APR51002	- 10	COPPER TUBE .125OD X .030 WALL	FT.
ARP51011	- 25	PIN, 7/32 X 3/4 TYPE 2A SS	EA.
ARP51011	- 24	PIN, 7/32 X 1 3/4 TYPE 24 SS	EA.
ARP51011	- 20	ROLL PIN 3/16 X 1 IN	EA.
ARP51011	- 17	ROLL PIN 5/32 X 5/8 PLATED	EA.
ARP51011	- 13	ROLL PIN 3/16 X 1 1/4	EA.
ARP51012	- 13	TREE CLIP PC47580 BLACK	EA.
ARP51013	- 117	SCREW, 4-40 X 1/4 SS BUTTON HEAD SOC CAP	EA.
ARP51013	- 115	SCREW, 10-32 X 3/4 SQUARE DRIVE PAN HEAD	EA.
ARP51013	- 113	SCREW, 10-32 X 1/2 SQUARE DRIVE PAN HEAD	EA.
ARP51013	- 107	SCREW, 1/4-28 X 2 3/4 HEX HEAD	EA.
ARP51013	- 106	SCREW, 6-32 X 14 SS BUTTON HEAD SOC CAP	EA.
ARP51013	- 96	BOLT, AN509-416-29 FLAT HEAD 1/4 - 28 X 1 27/32	EA.
ARP51013	- 91	SCREW, 1/4-20 X 2 HEX HD GRADE 5	EA.
ARP51013	- 90	SCREW, 8-32 X 1/2 SOC HD CAP	EA.
ARP51013	- 89	SCREW, SOC HEAD CAP 8-32 X 5/8 SS	EA.
ARP51013	- 88	SCREW, 1/4-20 X 1/2 BH CAP SOC SCREW	EA.
ARP51013	- 53	SCREW, AN509-416-27 1/4 IN FLAT HEAD	EA.
ARP51013	- 50	SCREW, PAN HEAD 10-24 X 3/8	EA.
ARP51013	- 40	SCREW, 10-32 X 1 1/2 HEX HEAD SS	EA.
ARP51013	- 37	SCREW, MACHINE 10-32 X 3/4	EA.
ARP51013	- 36	SCREW, MACHINE 10-32 X 5/8	EA.
ARP51013	- 15	SCREW, MACHINE 6 - 32 X 5/8	EA.
ARP51014	- 26	SCREW, 8-32 X 3/16 NYLON HEX HEAD	EA.
ARP51014	- 6	SCREW, DRIVE #4 X 1/4 TYPE U	EA.
ARP51015	- 41	NUT, LOCKING 4-40 KEPS	EA.
ARP51015	- 39	NUT, HEX 6-32 SS	EA.
ARP51015	- 19	NUT, MS20500-1032 HI TEMP	EA.
ARP51015	- 17	NUT, MS20365-428C 1/4-28	EA.
ARP51016	- 16	NUT BRASS, JAM 450-8	EA.
ARP51016	- 15	COUPLING, HEX THREADED 1/4-20 X 3/4	EA.
ARP51016	- 4	NUT, SPEED ARDEN C8044-1024-3B	EA.
ARP51016	- 3	NUT, WING 10-32 SS	EA.
ARP51017	- 40	WASHER, WAVE SPRING 92161A032	EA.
ARP51017	- 36	WASHER, AN960-C8	EA.
ARP51017	- 30	SPACER, TEFLON 161 X. 250 X .050	EA.
ARP51017	- 15	WASHER, SS MS15795-841	EA.
ARP51017	- 12	WASHER, 5/8 AN960C1016L	EA.
ARP51017	- 1	WASHER, 1/4 PLAIN AN960-C416	EA.
ARP51027	- 16	FIBERGLASS SLEEVE PIEZO	FT.
ARP51031	- 15	CLAMP, LOOP TA715SS06	EA.
ARP51034	- 17	O-RING, REGULATOR, LARGE	EA.
ARP51034	- 16	O-RING, REGULATOR, SMALL	EA.

PART NUMBER		DESCRIPTION	UNITS
ARP51034	- 10	E-RING, 1000-15	EA.
ARP51034	- 6	O-RING, PARKER 2-007-N103-7	EA.
ARP51034	- 5	O-RING, BACKUP REGO (TEFLON SPLIT RING)	EA.
ARP51034	- 1	C-RING, INDUSTRIAL 1200-9	EA.
ARP51040	- 55	GASKET, COPPER	EA.
ARP51040	- 45	WASHER, THRUST TRC-185	EA.
ARP51040	- 44	WASHER, THRUST TRB-815	EA.
ARP51040	- 43	BEARING, THRUST NTA-815	EA.
ARP51040	- 42	PLUG, 7/8 HOLE 62PP087BM11	EA.
ARP51042	- 98	FITTING, ADAPTOR 45 2023-4-6S	EA.
ARP51042	- 95	FITTING, ELBOW 90 DEG BRASS 1202P-4-4	EA.
ARP51042	- 94	FITTING, ADAPTER 3/8 TO 1/4 0107-4-6	EA.
ARP51042	- 93	FITTING, MALE BRANCH TEE 8-8-6SBZ	EA.
ARP51042	- 92	FITTING, MALE CLOSE NIPPLE 4-4 MACHINE SS	EA.
ARP51042	- 38	FITTING, PIPE FITTING 2045-4-4S	EA.
ARP51042	- 21	FITTING, CLOSE NIPPLE 2084-4S-7/8	EA.
ARP51042	- 18	FITTING, MALE ELBOW 2-2CBZ-B	EA.
ARP51042	- 17	FITTING, FEMALE ELBOW 2-25BZ-B	EA.
ARP51042	- 15	FITTING, ADAPTER PIPE/JIC 2021-4-6S	EA.
ARP51042	- 11	FITTING, ELBOW 90 DEG. SWIVEL 2047-4-4S	EA.
ARP51042	- 8	FITTING, PLUG 1/4 PIPE	EA.
ARP51042	- 4	FITTING, STREET ELBOW 90 DEG.	EA.
ARP51043	- 44	WASHER, RUBBER 1/4 ID X 1/2OD X 1/32THK	EA.
ARP51043	- 43	VALVE, HOKE STEM ONLY (METERING)	EA.
ARP51043	- 42	SPACER KIT, METERING VALVE	EA.
ARP51043	- 29	VALVE, HOKE 1523M4B1, NO HANDLE	EA.
ARP51043	- 26	REGULATOR PISTON <b>NOT CURRENTLY AVAILABLE</b>	EA.
ARP51043	- 6	FILTER, METEX 52-0110-F071-04	EA.
ARP51901		PILOT HEAD ASSEMBLY	EA.
ARP51902		FITTING, MODIFIED CROSS 2080-4-4S	EA.
ARP51907		PILOT HEAD	EA.
ARP51909		SLUG, PILOT	EA.
ARP51910		VALVE, BONNET ASSEMBLY HOKE	EA.
ARP51911	- 2	WASHER, SLOTTED .048 THK.	EA.
ARP52311		TRIGGER PIVOT BLOCK	EA.
ARP52343		PLATE, HOLD DOWN, BLAST VALVE	EA.
ARP52344		KNOB, METERING	EA.
ARP52345		BUSHING, GIMBAL	EA.
ARP52348		END PLATE	EA.
ARP52349		GIMBAL BRACKET	EA.
ARP52355		SPRING, GIMBAL	EA.
ARP52357		O-RING, BLAST VALVE	EA.
ARP52359	- 4	PIN, PILOT HANDLE	EA.
ARP52360		HANDLE, PILOT VALVE	EA.
ARP52361		VALVE, PILOT HANDLE BARREL	EA.
ARP52365		TRIGGER LINK	EA.
ARP52368		SQUARE TUBE	EA.
ARP52371		SPRING CUP 1/2	EA.
ARP52372		GIMBAL BLOCK	EA.
ARP52374		SPACER, GIMBAL	EA.
ARP52375		FITTING, XYZ FITTING 90 DEGREE ELBOW MODIFIED	EA.
ARP52378		SPRING CUP 9/32 IN	EA.
ARP52380		VALVE, HOKE MODIFIED	EA.
ARP52389		SPACER, BLAST VALVE	EA.
ARP52385		REGULATOR FEMALE FITTING	EA.
ARP52386		REGULATOR MALE FITTING	EA.

PART NUMBER	DESCRIPTION	UNITS
ARP52396	PIN, TRIGGER	EA.
ARP52465	BRACKET, GIMBAL ELS BURNER	EA.
ARP52467	BUSHING, GIMBAL ELS LONG	EA.
ARP52726	PRESSURE GAUGE, ASSEMBLY	EA.
ARP52727	PRESSURE GAUGE KIT (REPLACEMENT WIKA)	EA.
ARP52793 - 1	COIL ASSEMBLY, HPIII REPLACEMENT ONLY	EA.
ARP52822	PIEZO IGNITER W/FIBERGLASS SLEEVE	EA.
ARP52986	SQUARE TUBE, HP3T GLOW	EA.
ARP52990	TRAY, A HPIII TRIPLE	EA.
ARP52991	TRAY, B HPIII TRIPLE	EA.
ARP52992	TRAY, C HPIII TRIPLE	EA.
ARP52994	HANDLE, HPIII TRIPLE	EA.
ARP52995	TRIGGER EXTENSION, HPIII TRIPLE	EA.
ARP52996	TRIGGER A & B HPIII TRIPLE	EA.
ARP52997	TRIGGER C HPIII TRIPLE	EA.
ARP52998	BURNER FRAME HPIII TRIPLE	EA.
ARP53183	NOZZLE COIL W/ASPIRATOR	EA.
ARP53186	UNION RESTRICTED, HPIII UPDATE	EA.



BURNER ASSEMBLY,  
HPIII TRIPLE

Figure TB1

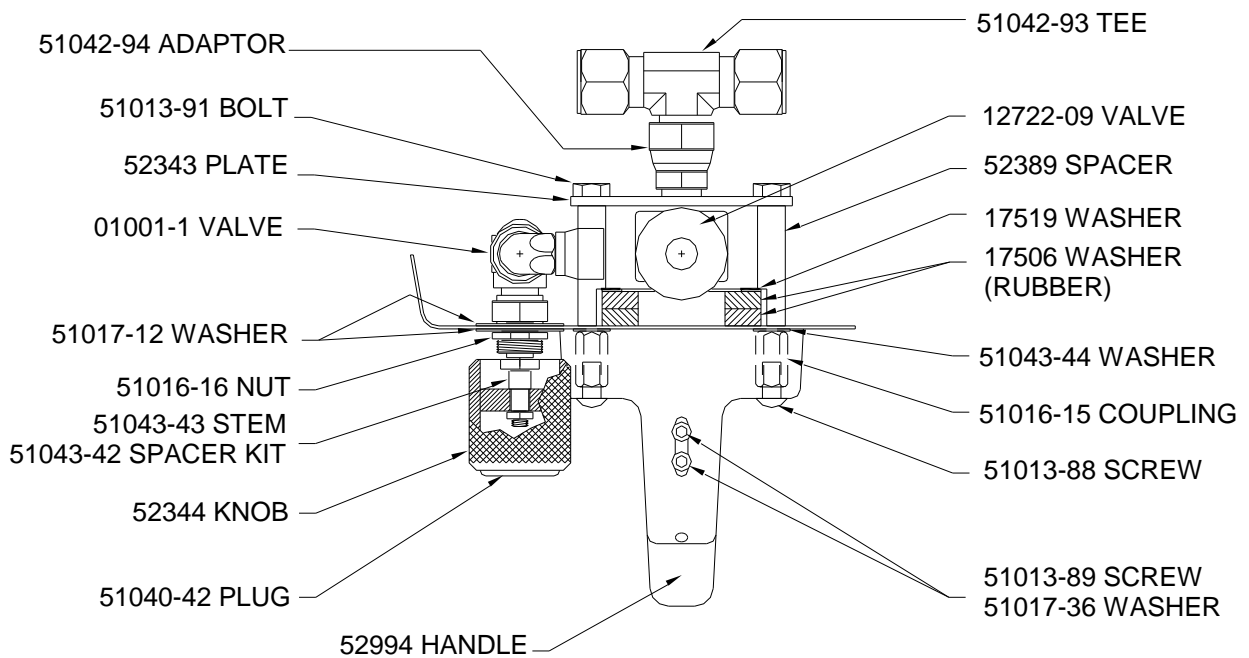
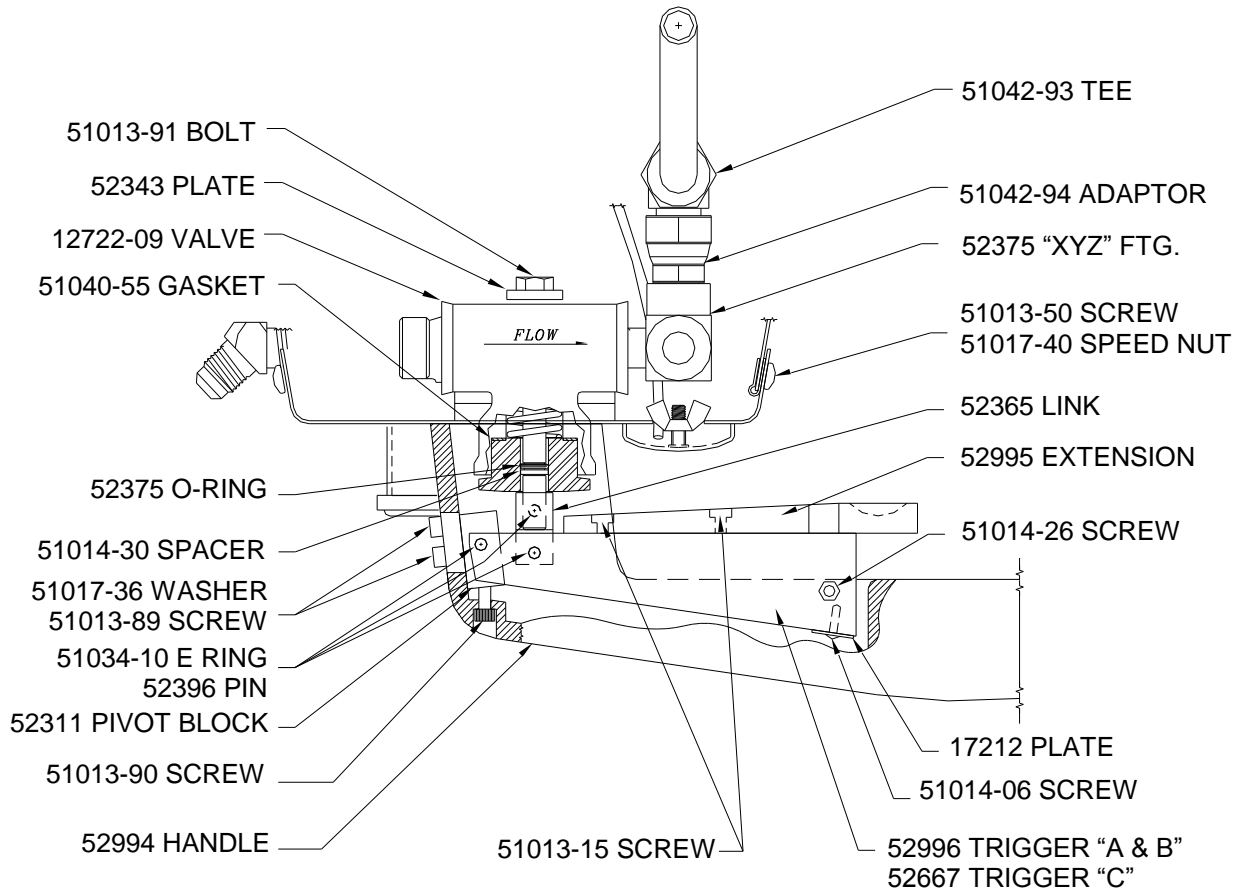


Figure TB2

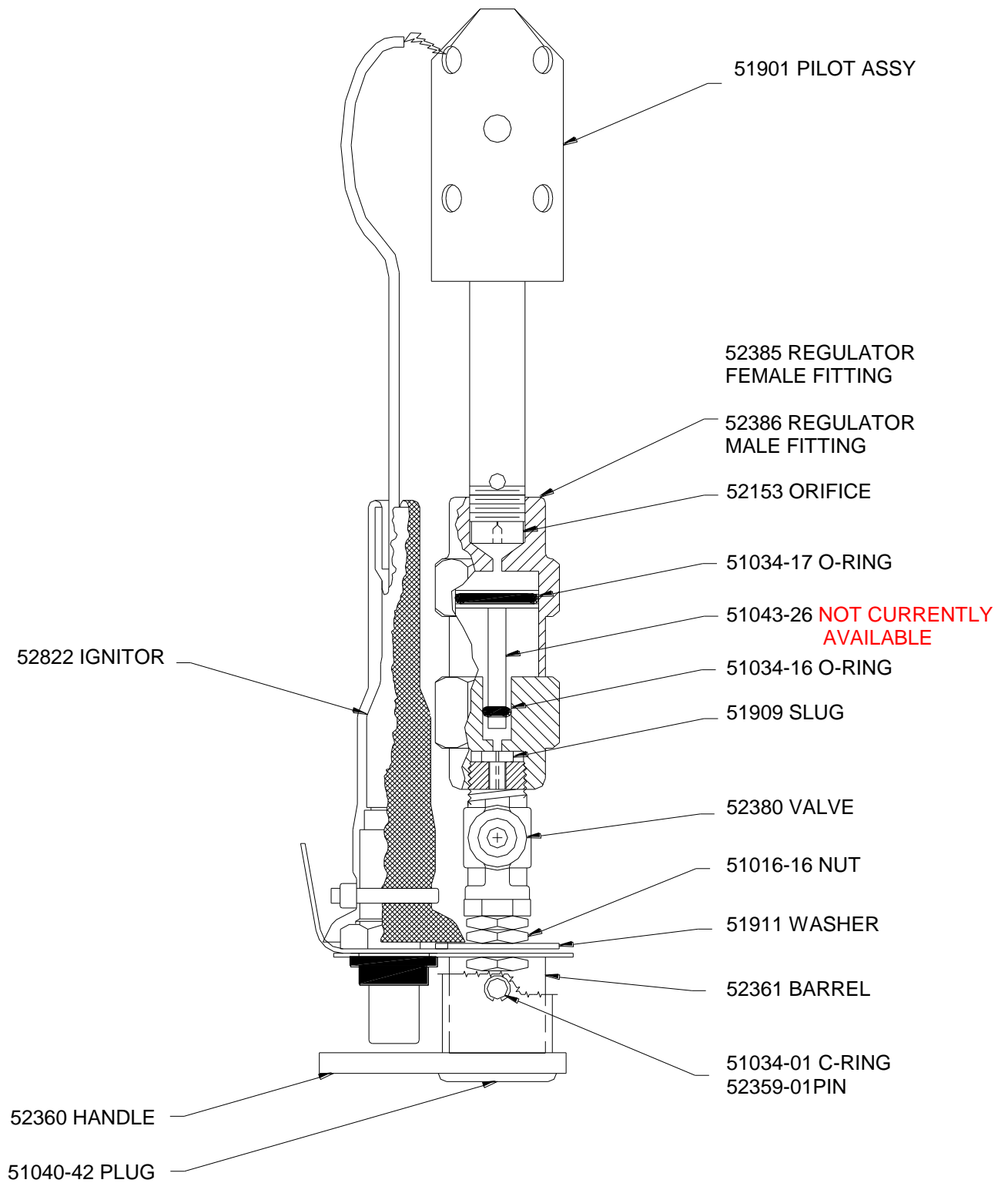
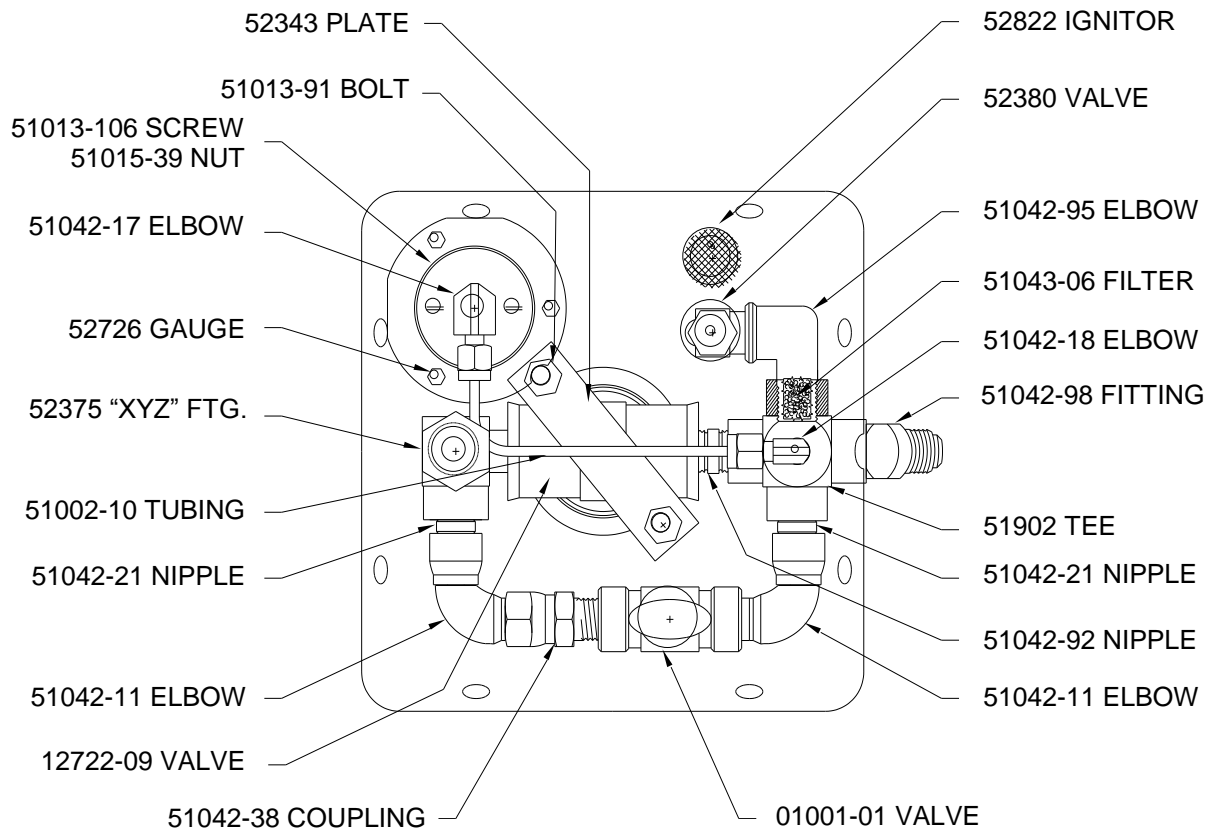
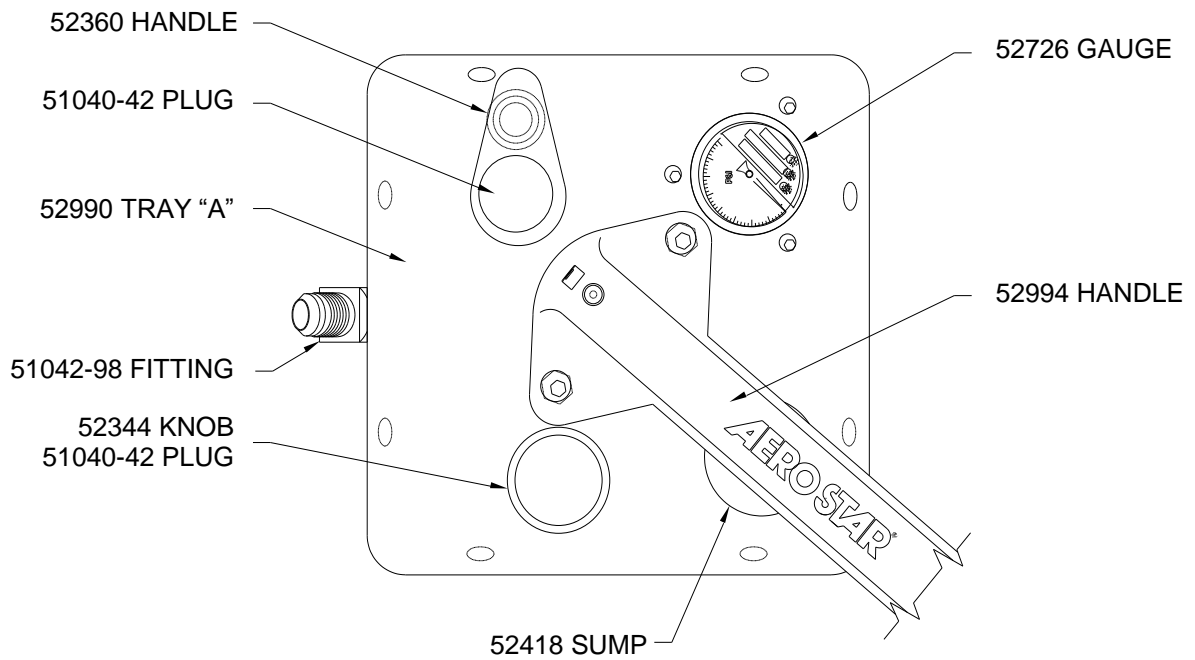
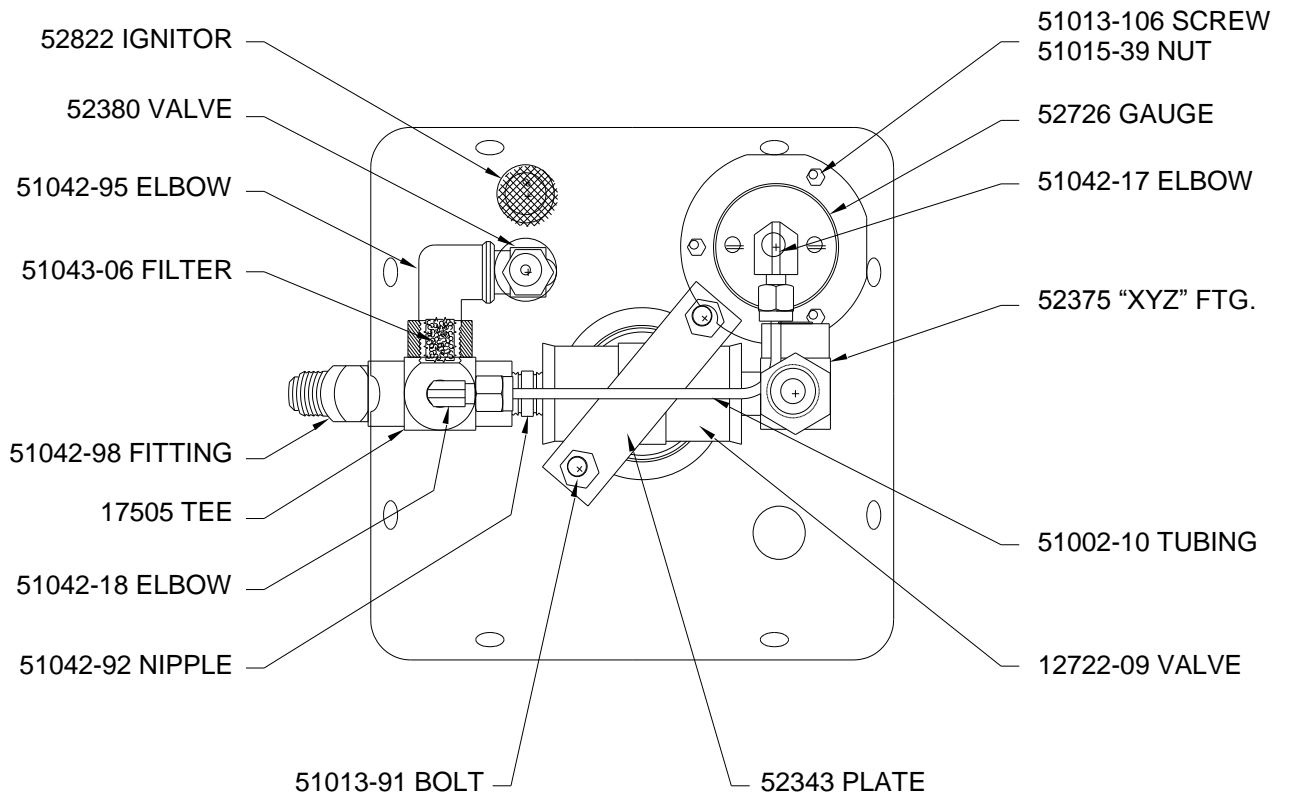
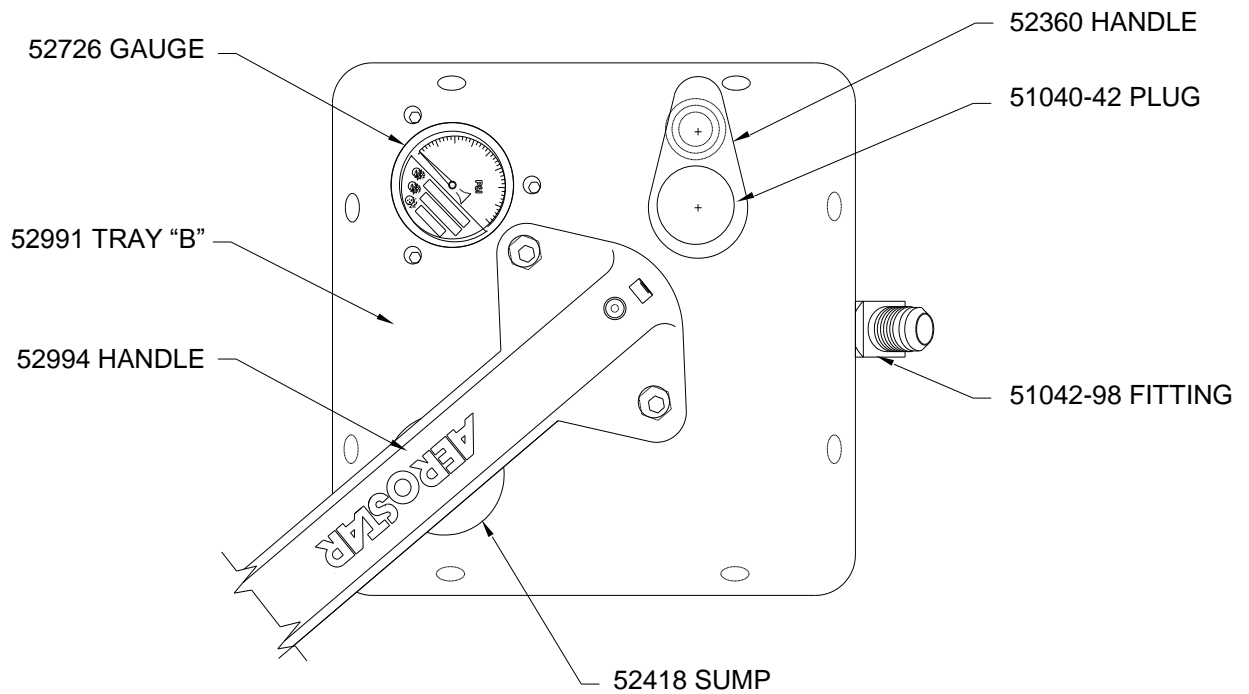


Figure TB3

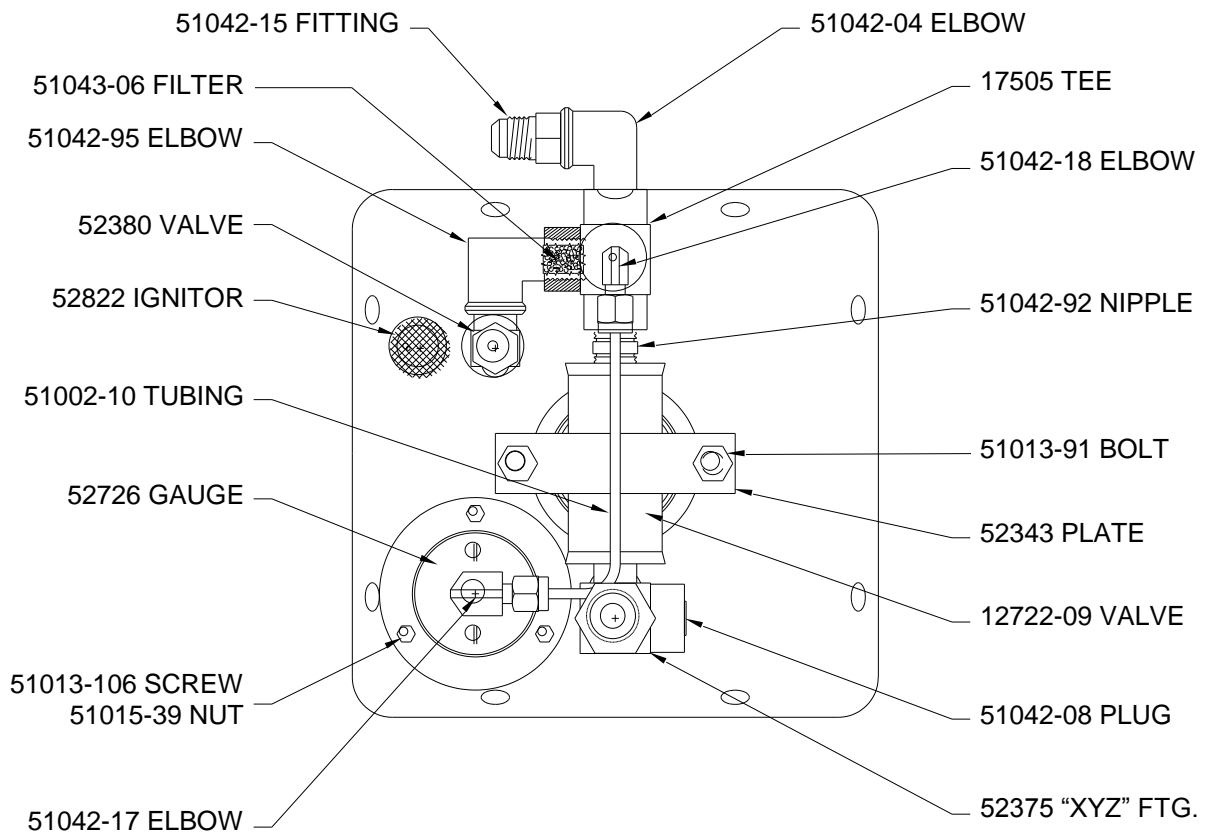
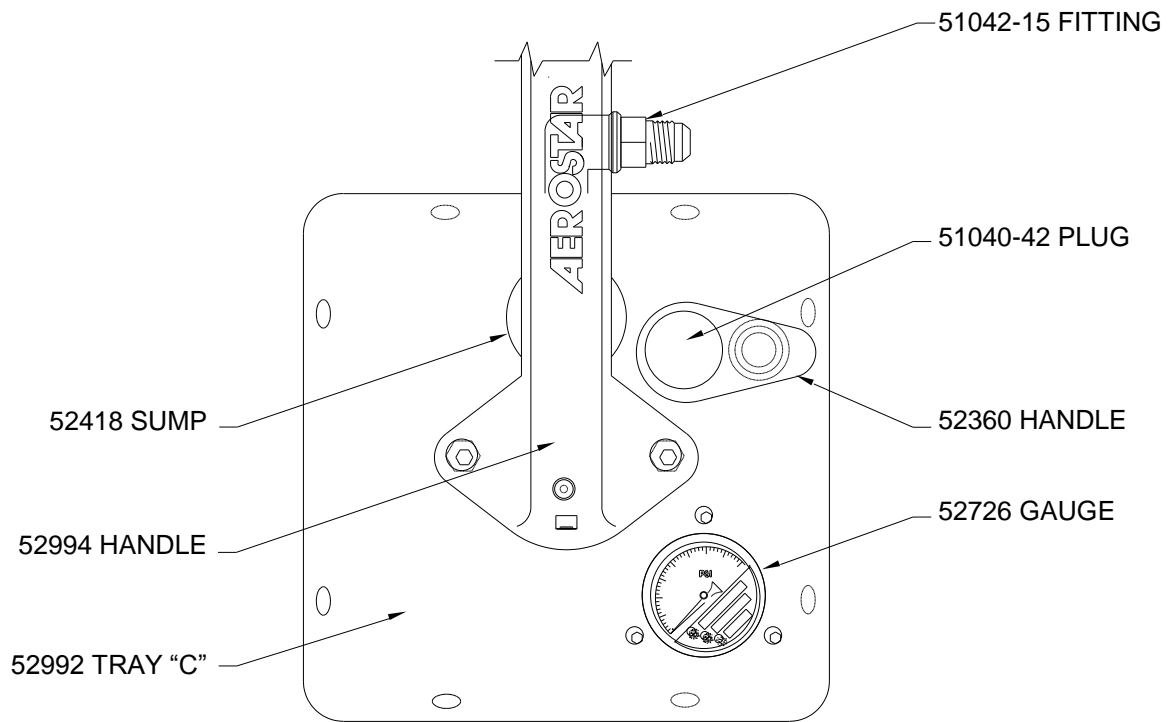


BURNER "A" PLUMBING  
Figure TB4

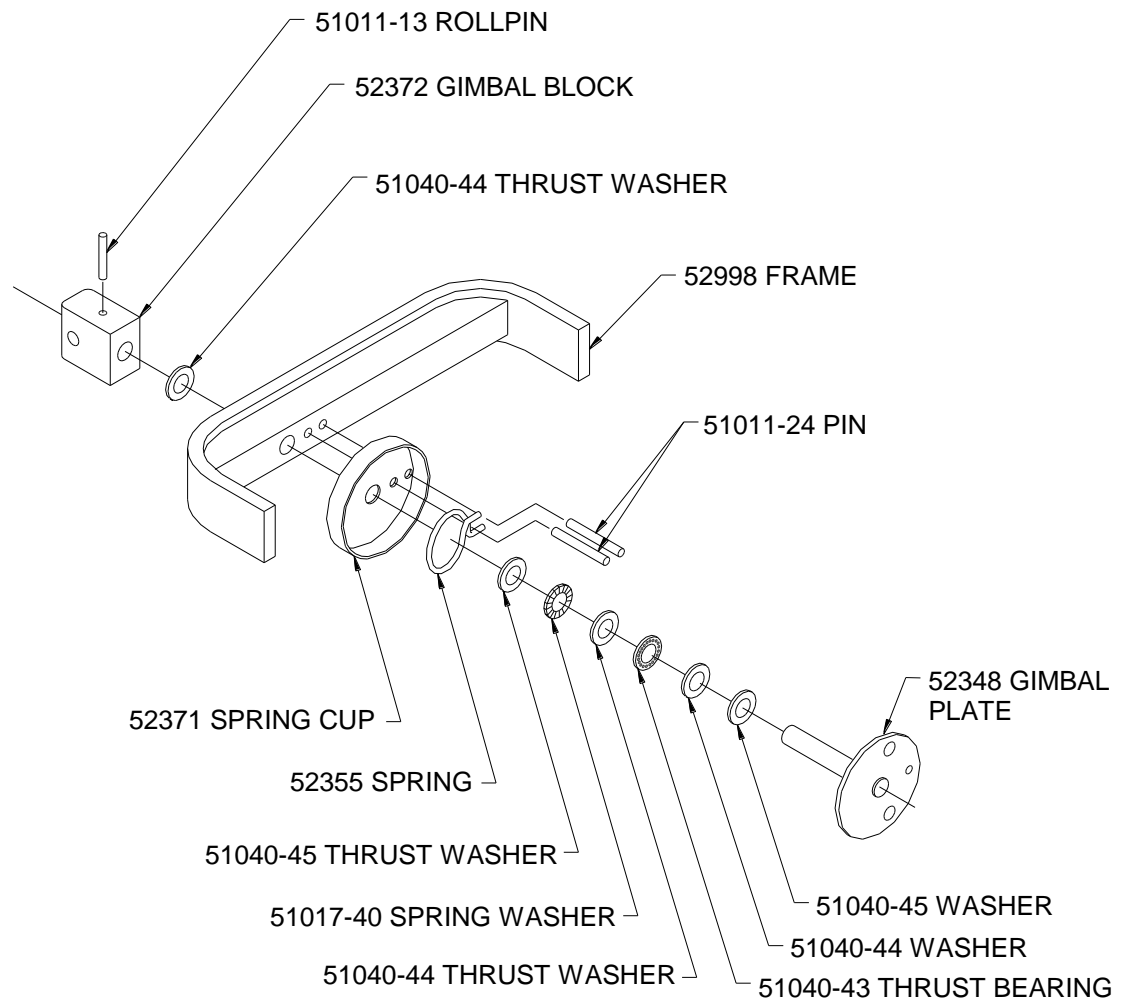




BURNER "B" PLUMBING  
Figure TB5

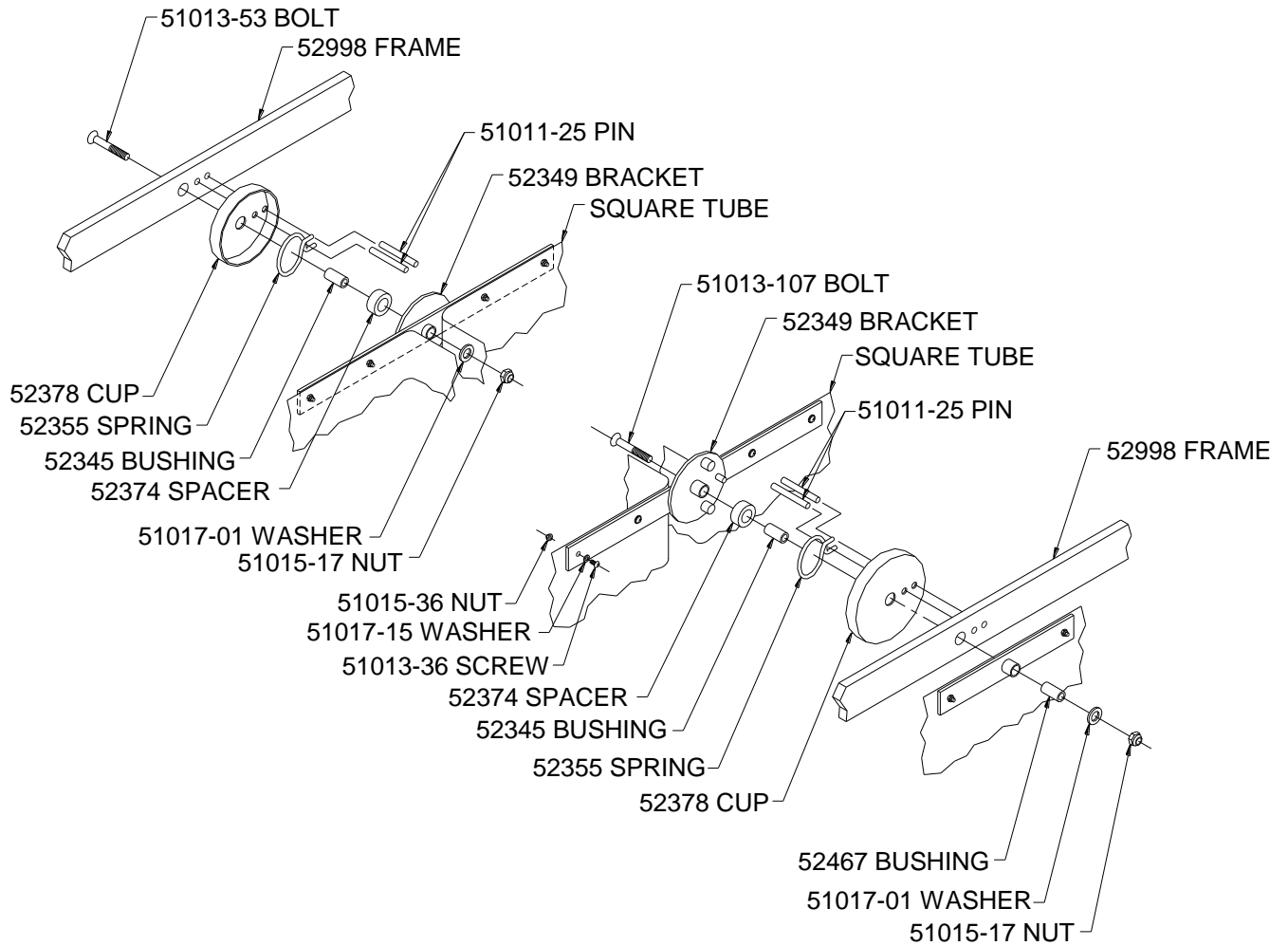


BURNER "C" PLUMBING  
Figure TB6



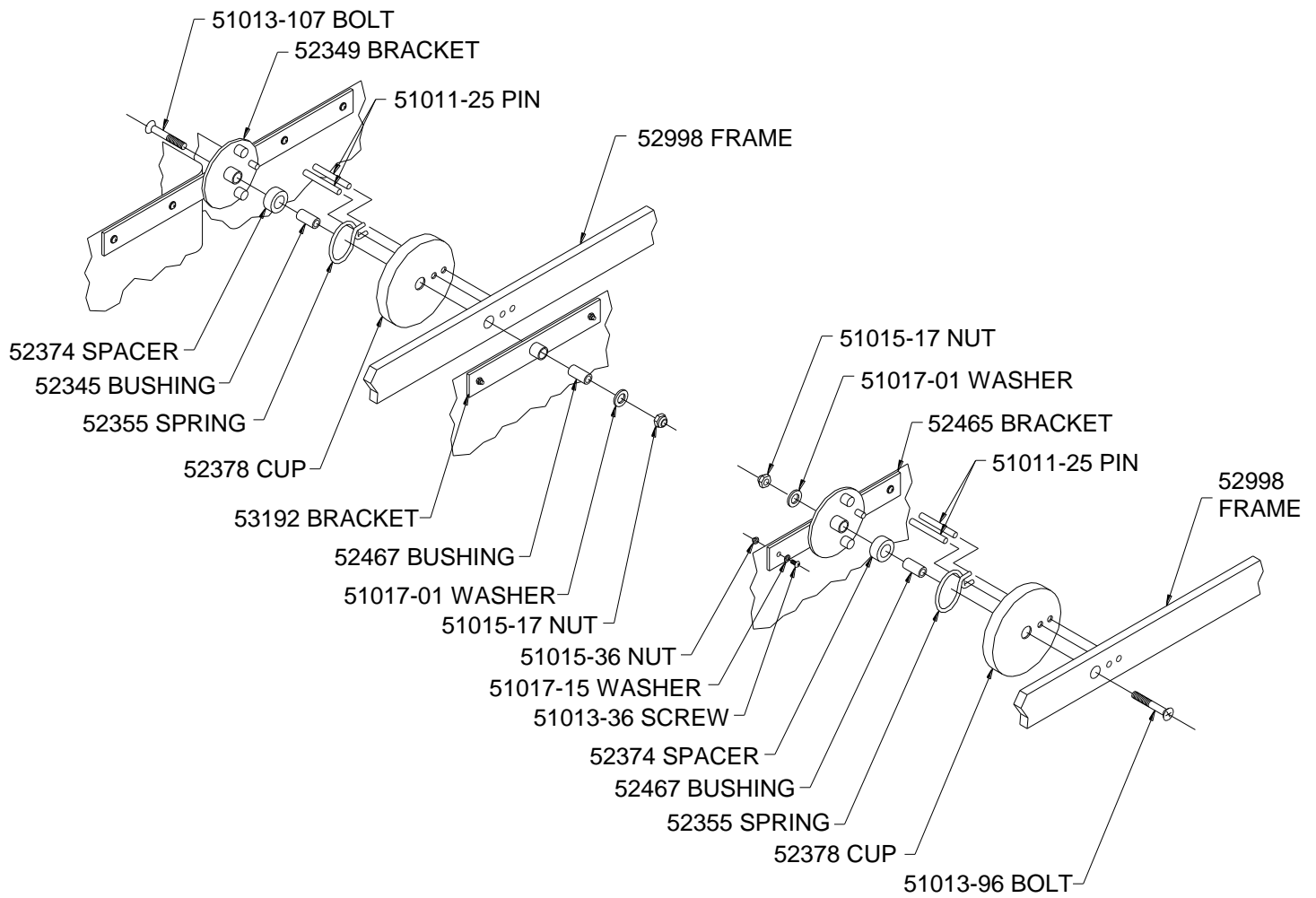
GIMBAL SPRING & PIVOT MECHANISM - ENDS

Figure TB7



GIMBAL SPRING & PIVOT MECHANISM - DUAL SIDES

Figure TB8



GIMBAL SPRING & PIVOT MECHANISM - SINGLE SIDE

Figure TB9

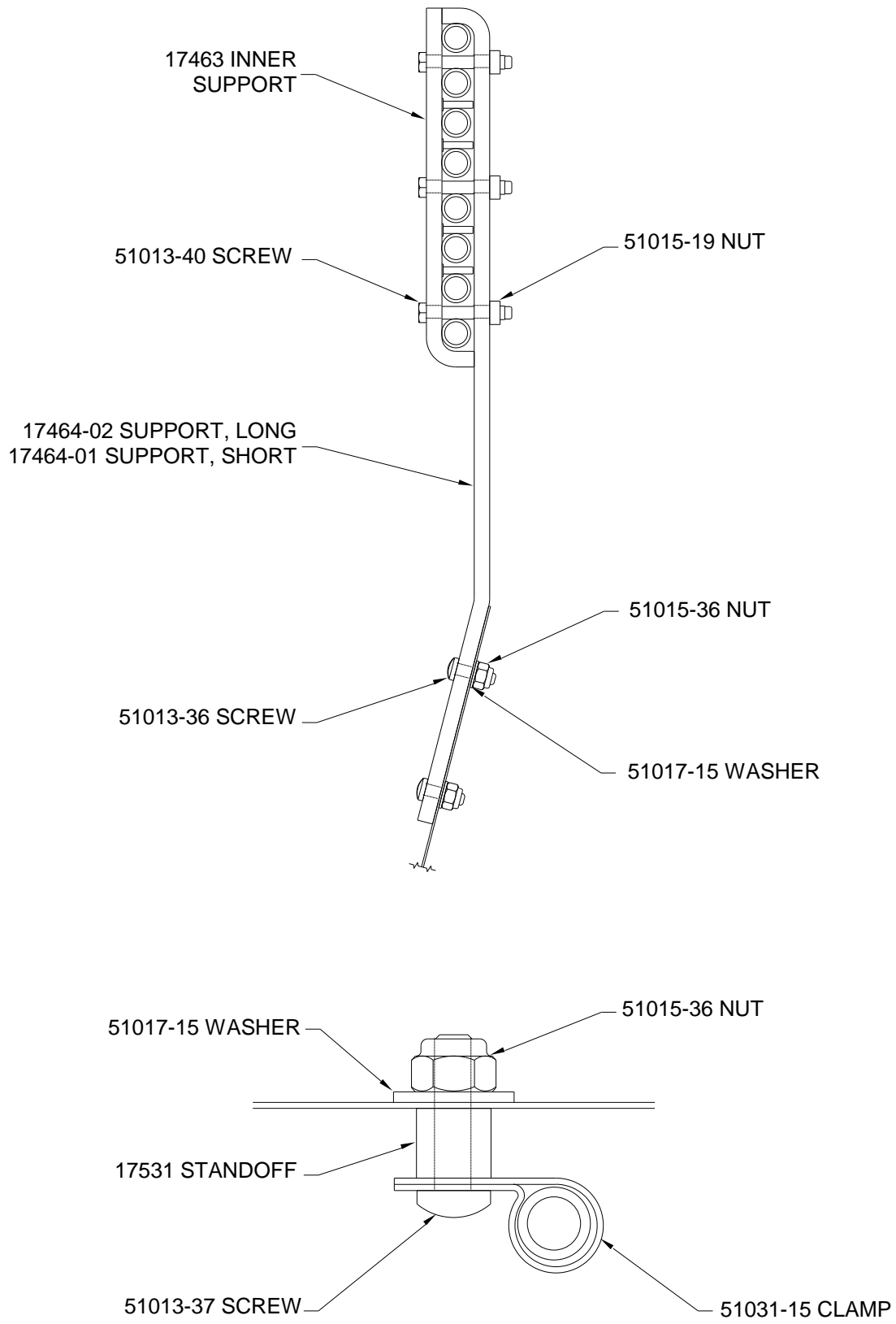


Figure TB10