

***Parts***

**AUTHORITY**

125 Redwood Circle, Fayetteville, Georgia 30214 770.719.9492  
FAA Parts Manufacturing Authority PQ4173CE

***“Your Source for Aerostar PMA Parts”***

# AEROSTAR PARTS MANUAL

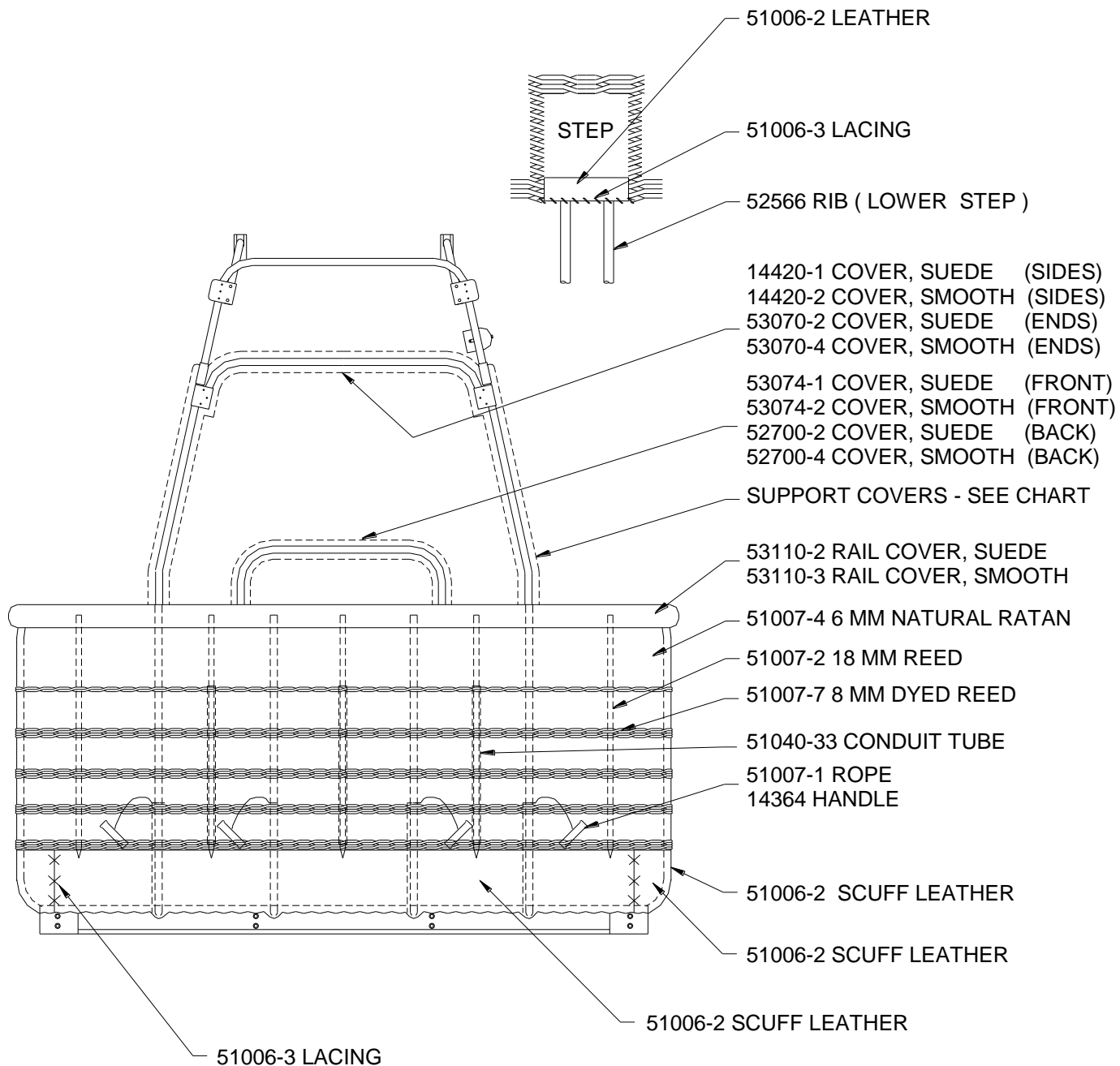
*(Parts Subject to Availability)*

CLASSIC XII GONDOLA  
MODEL “RB12”  
Aerostar P/N 52430

PART NUMBER	DESCRIPTION	UNITS
ARP14364	HANDLE, GONDOLA	EA.
ARP14420 - 1	COVER, SUEDE LEATHER SIDE FRAME	EA.
ARP14420 - 2	COVER, SMOOTH LEATHER SIDE FRAME	EA.
ARP14571	STRAP ASSY TANK V15 / V18	EA.
ARP51003 - 1	FOAM, THERMAL CELL NOMACO C78A	FT.
ARP51003 - 55	FOAM, 3W301 3/4 X 1 3/8	FT.
ARP51003 - 61	FOAM, 3W307 3/4 X 1 3/8	FT.
ARP51003 - 81	BOOT, RUBBER	EA.
ARP51006 - 2	LEATHER, MOCCASIN COWHIDE	EA.
ARP51006 - 3	INDIAN TAN LACING	FT.
ARP51007 - 1	ROPE, 5/16 BADGER 3 STRAND TAN POLY	FT.
ARP51007 - 2	WICKER, 18-MM ROUND REED	5 LB. MIN.
ARP51007 - 4	WICKER, 4-7 MM NATURAL KOOBOO RATAN	5 LB. MIN.
ARP51007 - 7	WICKER, DYED 8 MM ROUND REED	5 LB. MIN.
ARP51007 - 17	NYLON LACING, #381 TASN, ST/684 BLACK/BROWN	FT.
ARP51007 - 18	ROPE, 1/2 " BLACK, INSIDE HANDLE	EA.
ARP51012 - 3	POP RIVET AD 48BS	EA.
ARP51013 - 1	BOLT, AIRCRAFT AN3-12A	EA.
ARP51013 - 4	BOLT, AIRCRAFT AN3-14A	EA.
ARP51013 - 17	BOLT, AIRCRAFT AN4-15A	EA.
ARP51013 - 24	BOLT, AIRCRAFT AN4-21A	EA.
ARP51013 - 25	BOLT, AIRCRAFT AN4-22A	EA.
ARP51013 - 58	AIRCRAFT BOLT AN4-31A	EA.
ARP51013 - 59	BOLT, AIRCRAFT BOLT AN3-16A	EA.
ARP51013 - 83	BOLT, AIRCRAFT AN3-17A	EA.
ARP51014 - 21	SCREW, FLAT END SET 3/8-16 X 5/8	EA.
ARP51014 - 29	SCREW, WOOD FLAT HEAD SQUARE DRIVE #12 X 2"	EA.
ARP51014 - 34	SCREW, WOOD #12 X 3" SQUARE DRIVE	EA.
ARP51015 - 1	NUT, MS20365-1032A 10-32	EA.
ARP51015 - 2	NUT, 10-32 CAPNUT ESAN 22 NKM2	OBSOLETE
ARP51015 - 10	NUT, LOCKING MS20365-428A	EA.
ARP51015 - 37	NUT, LOCKING 5/16-18 ESNA	EA.
ARP51017 - 1	WASHER, 1/4 PLN AN960-C416	EA.
ARP51017 - 2	WASHER, 1/4 PLN PLATED STL	EA.
ARP51017 - 4	WASHER, POP RIVET 1/8	EA.
ARP51017 - 18	WASHER, 5/16 CAD PLATED	EA.
ARP51017 - 32	WASHER, FENDER 1.75O.D. X 1/4 I.D.	EA.
ARP51019 - 38	BOLT, CARRIAGE 5/16-18 X 2 1/2 SS	EA.
ARP51037 - 7	SLEEVE, 3/32 OVAL COPPER 5005-3	EA.
ARP51037 - 15	CABLE, 1/16 RED PVC	FT.
ARP51038 - 5	FIRE EXTINGUISHER	EA.
ARP51040 - 33	TUBE, 3/4 ELECTRICAL METALLIC TUBING	EA.
ARP51054 - 49	SAFETY WALK, 2"	FT.
ARP51080 - 4	SUPPORT TUBE, RB6, RB8, RB12	EA.
ARP51082	BURNER FITTING ASSEMBLY 4 PT	EA.
ARP51082 - 2	BURNER SUPPORT INSERT, ADJUSTMENT BLOCK	EA.
ARP51082 - 3	BURNER SUPPORT, INSERT, COMPRESSION SPACER	EA.
ARP51093 - 1	BAG, ACCESSORY SUEDE	EA.
ARP51093 - 2	BAG, ACCESSORY SMOOTH	EA.
ARP51093 - 3	BAG, ACCESSORY CORDURA	EA.
APR51100	SIDE FRAME, LOWER RB	EA.
APR51113 - 1	COVER, SMOOTH LEATHER RB SUPPORT TUBE	EA.
APR51113 - 2	COVER, SMOOTH LEATHER RB SUPPORT TUBE	EA.
APR51114 - 1	COVER, SMOOTH LEATHER RB SUPPORT TUBE W/FLAP	EA.
APR51114 - 3	COVER, SMOOTH LEATHER SUPPORT TUBE RB W/FLAP	EA.
ARP51518 - 5	CONNECTOR PIN RB	EA.
ARP52120 - 1	QUICK RELEASE PIN AVIBANK 55964	EA.

PART NUMBER		DESCRIPTION	UNITS
ARP52142	- 7	COVER, SUEDE LEATHER RB8/12	EA.
ARP52142	- 9	COVER, SMOOTH LEATHER TANK FRAME SHORT RB8/12	EA.
ARP52142	- 10	COVER, SUEDE LEATHER TANK FRAME LONG RB12	EA.
ARP52142	- 11	COVER, SMOOTH LEATHER TANK FRAME LONG RB12	EA.
ARP52145		STEP STIFFENER, LOWER	EA.
ARP52163		QUICK RELEASE PIN WITH RETAINER	EA.
ARP52174		TOOL POUCH	EA.
ARP52249		FIRE EXTINGUISHER POUCH	EA.
ARP52315		BRACKET, SKID INNER	EA.
ARP52427		TANK ASSEMBLY, V-23 SINGLE SERVICE	EA.
ARP52458	- 1	COVER, SUEDE LEATHER SUPPORT TUBE RB #4	EA.
ARP52458	- 2	COVER, SUEDE LEATHER SUPPORT TUBE RB #3	EA.
ARP52458	- 3	COVER, SMOOTH LEATHER SUPPORT TUBE RB #4	EA.
ARP52458	- 4	COVER, SMOOTH LEATHER SUPPORT TUBE RB #3	EA.
ARP52459	- 1	COVER, SUEDE LEATHER SUPPORT TUBE RB #1 W/FLAP	EA.
ARP52459	- 2	COVER, SUEDE LEATHER SUPPORT TUBE RB #2 W/FLAP	EA.
ARP52459	- 3	COVER, SMOOTH LEATHER SUPPORT TUBE RB #1 W/FLAP	EA.
ARP52459	- 4	COVER, SMOOTH LEATHER SUPPORT TUBE RB #2 W/FLAP	EA.
ARP52479		FIRE EXTINGUISHER	EA.
ARP52499		TAB, REINFORCEMENT	EA.
ARP52501	- 1	TUBE CONNECTOR, RB 90 DEG.	EA.
ARP52501	- 2	TUBE CONNECTOR, RB 12 DEG.	EA.
ARP52503	- 4	DIVIDER FRAME UPPER TUBES, RB12	EA.
ARP52503	- 5	DIVIDER FRAME UPPER TUBES, RB12	EA.
ARP52503	- 6	UPPER TUBE, RB12 DIVIDER, 53 IN	EA.
ARP52505		SKID, LONG FRONT RB8, RB12	EA.
ARP52511		SKID, SHORT RB	EA.
ARP52512		SKID, CENTER RB	EA.
ARP52514		SKID, LONG BACK RB8, RB12	EA.
ARP52515	- 5	RB12 PARTITION HALF ASSEMBLY	EA.
ARP52516		SKID GUARD, POLY, RB CENTER	EA.
ARP52522	- 1	U BRACKET, 5/16 IN HOLE	EA.
ARP52522	- 2	U BRACKET, 3/16 IN HOLE	EA.
ARP52525		SKID GUARD, POLY LONG SIDE RB8	EA.
ARP52527		SKID GUARD, POLY SHORT SIDE RB	EA.
ARP52700	- 1	COVER, TANK TOPFRAME SHORT RB8, RB12 (SUEDE)	EA.
ARP52700	- 2	COVER, TANK TOPFRAME SHORT RB8, RB12 (SMOOTH)	EA.
ARP52929		FRAME, TANK, SHORT RB8, RB12	EA.
ARP52987		BRACKET, OUTER POLY SKID	EA.
ARP53019		WASHER, 3 IN ALUMINUM	EA.
ARP53034	- 1	OVERSLEEVE, RB	EA.
ARP53034	- 2	OVERSLEEVE, RB	EA.
ARP53056		FRAME, TOP PERIMETER, RB12	EA.
ARP53057		SIDE FRAME, RB12	EA.
ARP53058		FRAME, TANK SUPPORT RB12	EA.
ARP53060		RIB, SHORT STEP, RB12	EA.
ARP53061	- 1	STEP RIB BACKER, SHORT, RB12	EA.
ARP53061	- 2	STEP RIB BACKER, LONG, RB12	EA.
ARP53062		END FRAME, RB12	EA.
ARP53063		FLOOR, RB12	EA.
ARP53064		SPACER, FLOOR / SKID, RB12	EA.
ARP53066		PLATFORM, PILOT, RB12	EA.
ARP53067		PLATFORM SUPPORT, PILOT, RB12	EA.
ARP53068	- 1	DIVIDER, LOWER TUBE, LONG, RB12	EA.
ARP53068	- 2	DIVIDER, LOWER TUBE, SHORT, RB12	EA.
ARP53070	- 2	COVER, SUEDE LEATHER END FRAME, RB12	EA.
ARP53070	- 4	COVER, SMOOTH LEATHER END FRAME, RB12	EA.

PART NUMBER		DESCRIPTION	UNITS
ARP53071	- 1	KNEE PAD, BACK SIDE RB12, CORNER 3	EA.
ARP53071	- 2	KNEE PAD, BACK SIDE RB12, CORNER 4	EA.
ARP53072	- 1	KNEE PAD, FRONT SIDE RB12, CORNER 1	EA.
ARP53072	- 2	KNEE PAD, FRONT SIDE RB12, CORNER 2	EA.
ARP53073		FRAME, TANK TOP, LONG, RB12	EA.
ARP53074	- 1	COVER, SUEDE LEATHER TANK TOP FRAME, LONG, RB12	EA.
ARP53074	- 2	COVER, SMOOTH LEATHER TANK TOP FRAME, LONG, RB12	EA.
ARP53093		SPACER, COLLAR RB	EA.
ARP53097	- 1	BURNER SUPPORT FITTING, SLOTTED	EA.
ARP53105		PIN, WIRE LOCK, S.S. W/LANYARD (STAMPED "S")	EA.
ARP53198		END LOWER FRAME, RB12	EA.
ARP53199		SKID, RB12 END	EA.
ARP53204		TOP FRAME SUPPORT FITTING, RB-12	EA.



SUPPORT TUBE COVERS	CORNER 1 (with Flap)	CORNER 2	CORNER 3 (with Flap)	CORNER 4
SUEDE LEATHER	52459-1	52459-2	52458-2	52458-1
SMOOTH LEATHER	52459-3	52459-4	52458-4	52458-3

Figure RB12-1

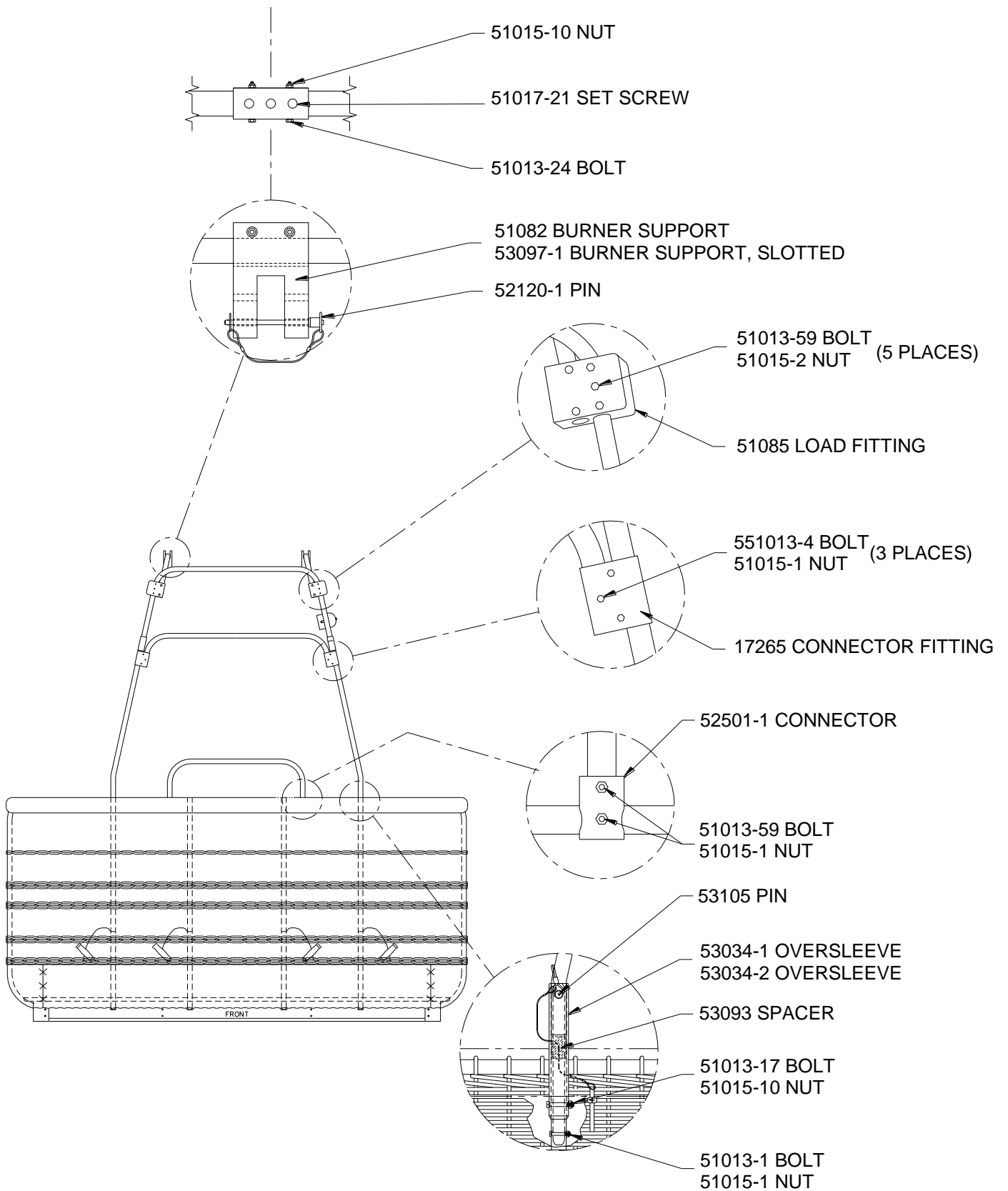


Figure RB12-2

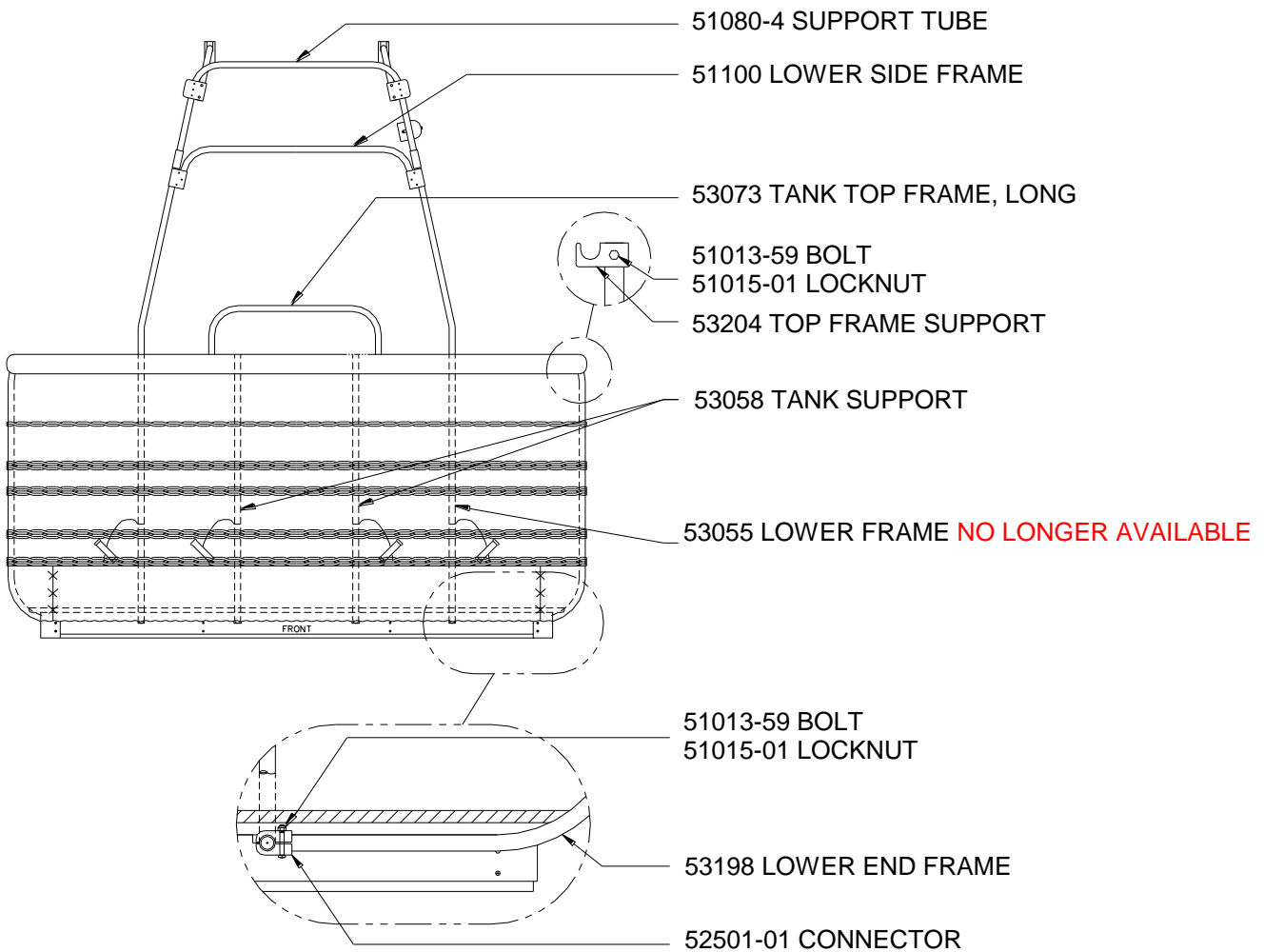
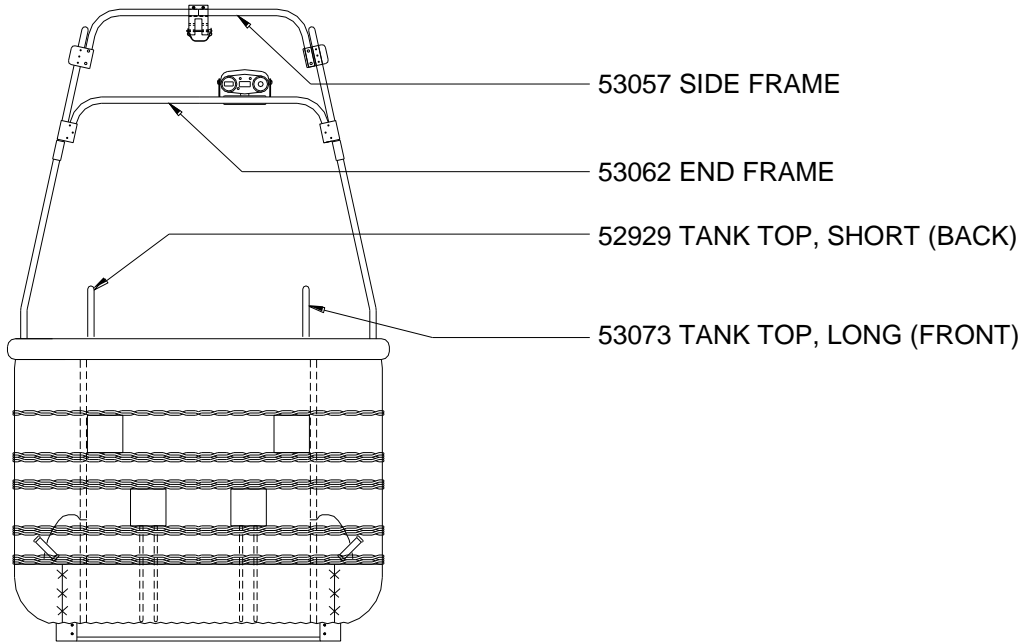


Figure RB12-3

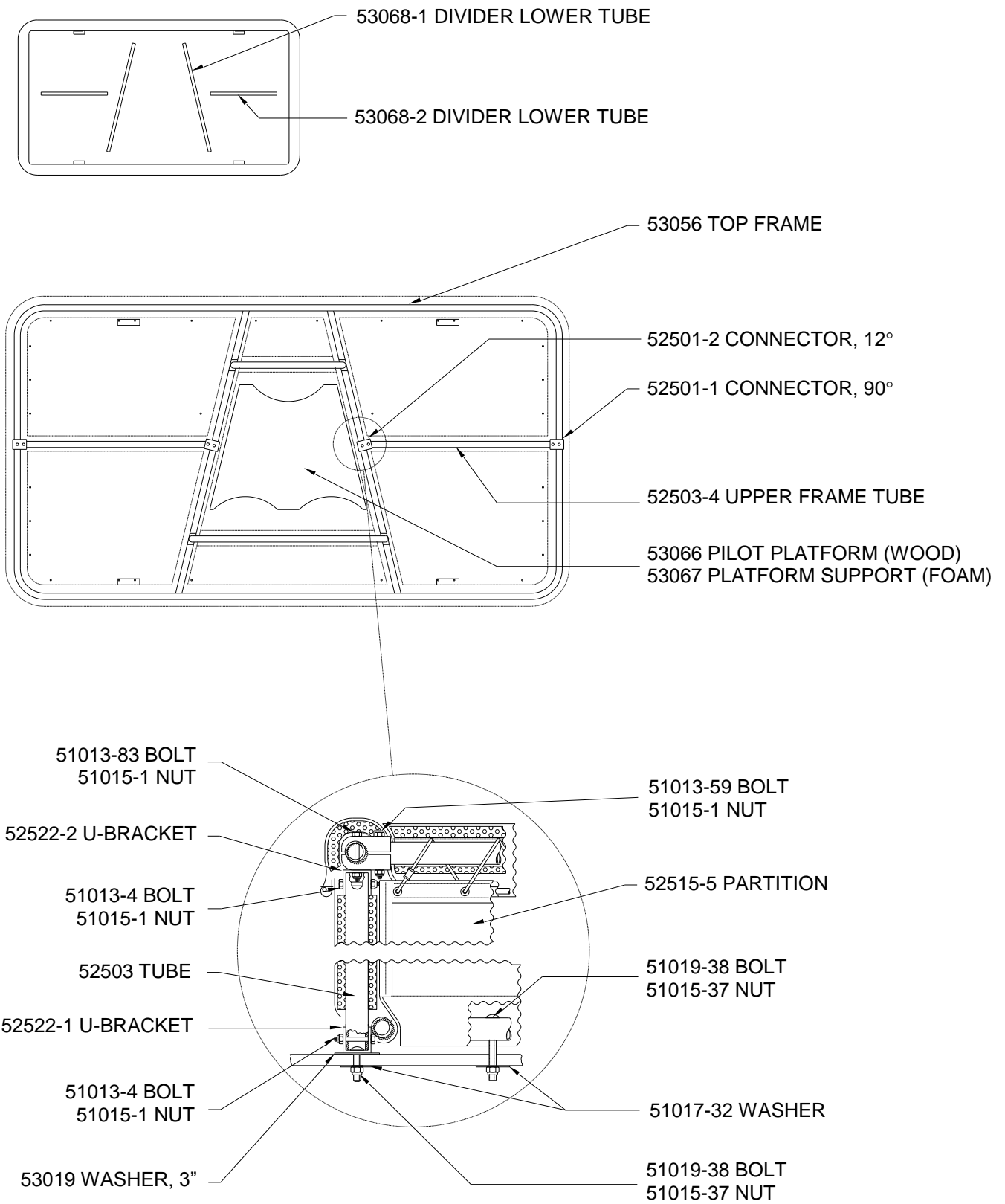


Figure RB12-4



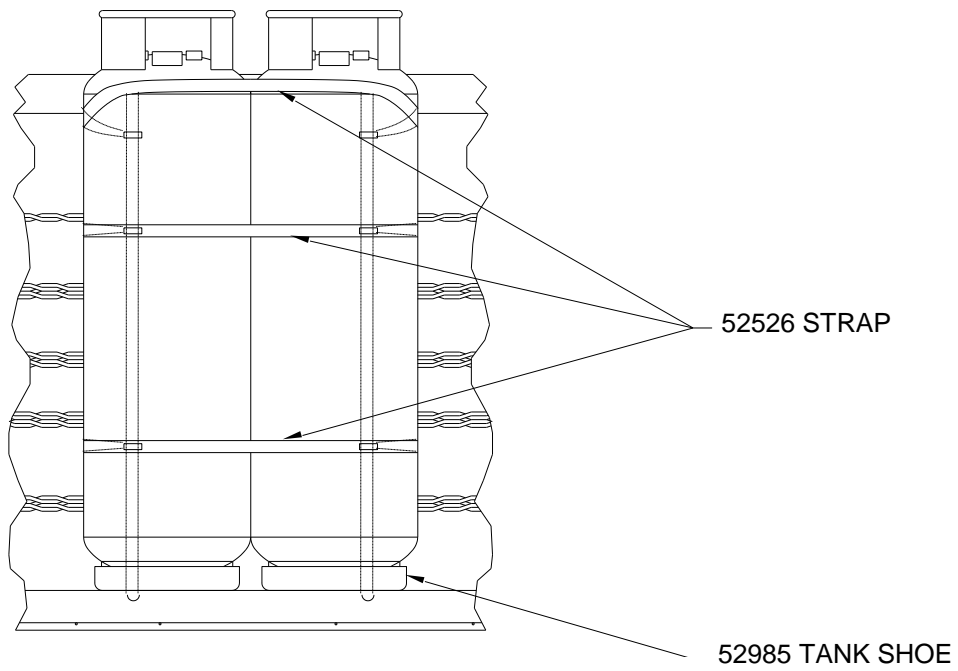
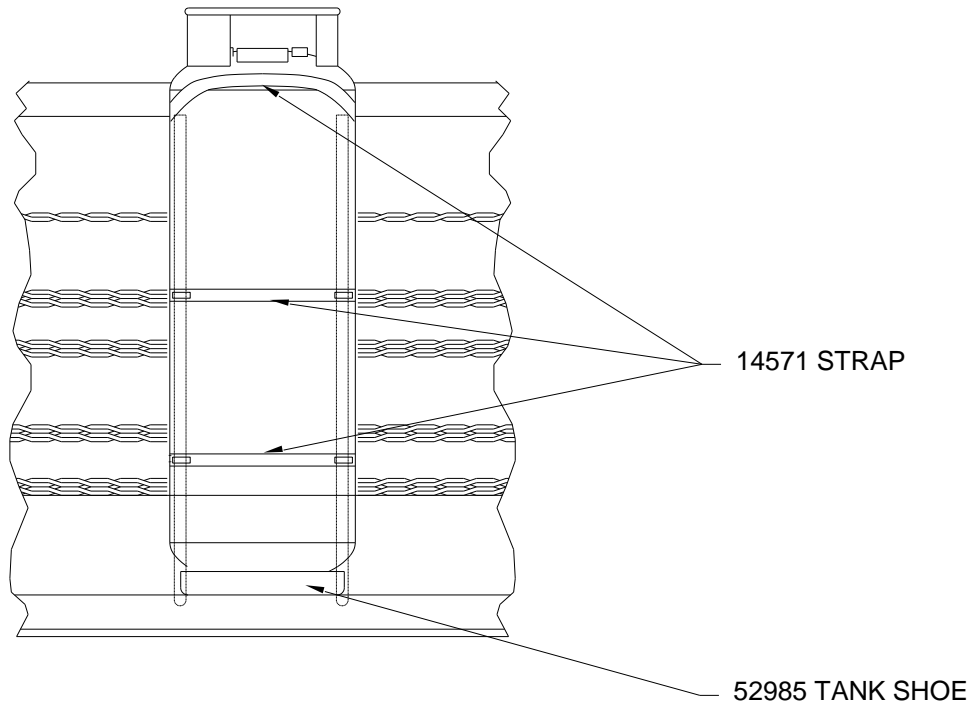


Figure RB12-5

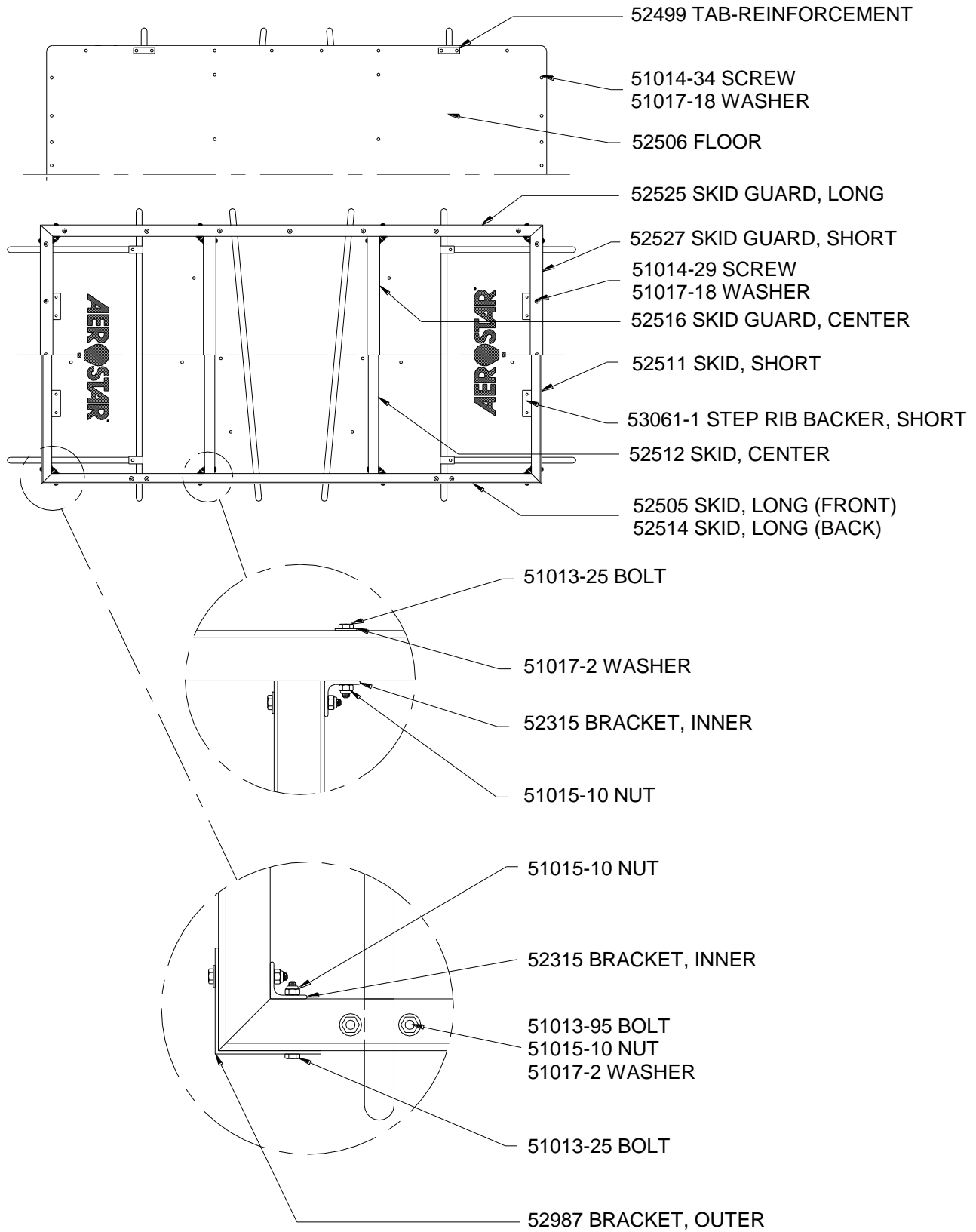


Figure RB12-6