

***Parts***

**AUTHORITY**

125 Redwood Circle, Fayetteville, Georgia 30214 770.719.9492  
FAA Parts Manufacturing Authority PQ4173CE

***“Your Source for Aerostar PMA Parts”***

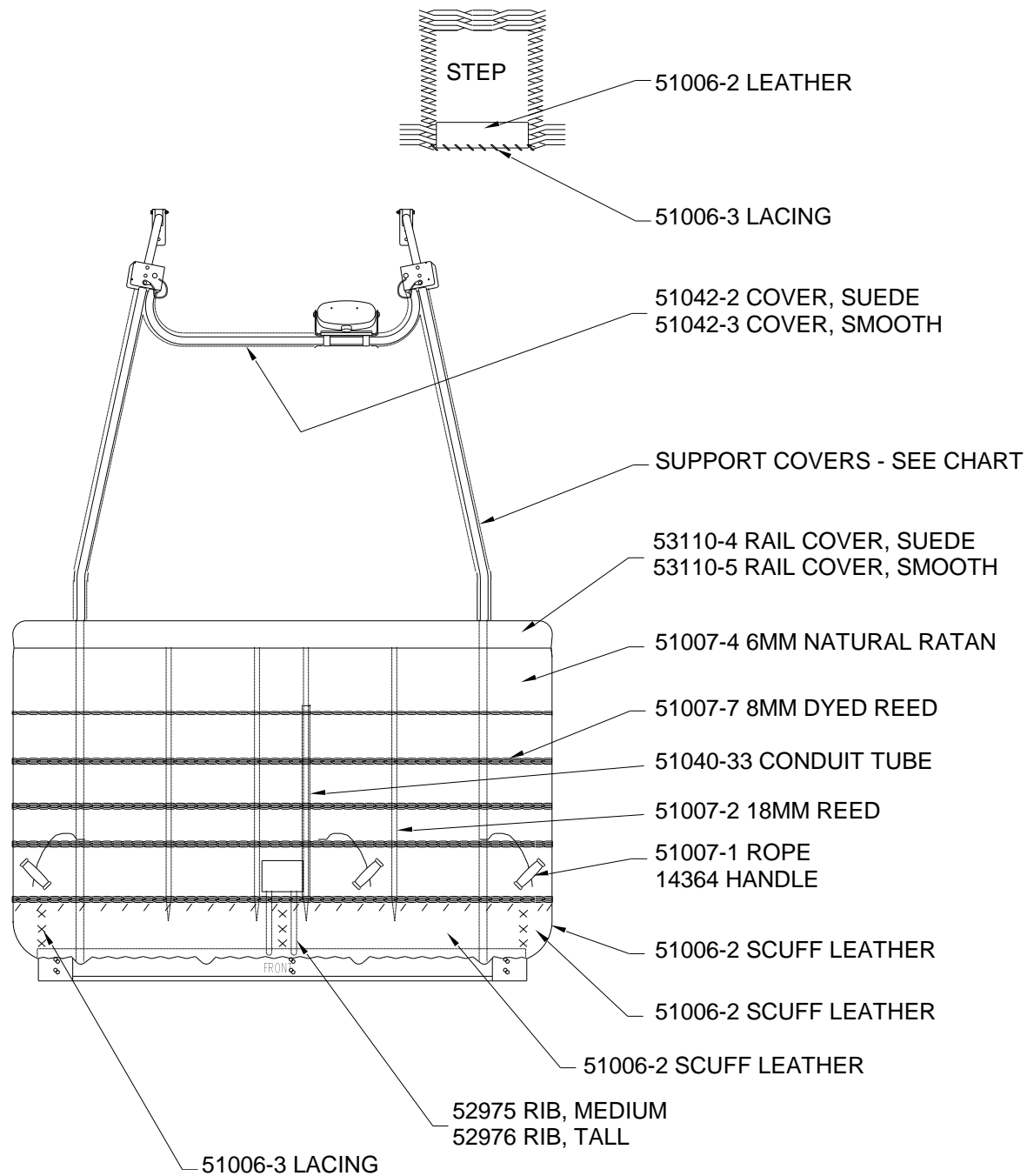
# AEROSTAR PARTS MANUAL

*(Parts Subject to Availability)*

CLASSIC VIII GONDOLA  
MODEL “RB5”  
Aerostar P/N 52805

PART NUMBER	DESCRIPTION	UNITS
ARP14364	HANDLE, GONDOLA	EA.
ARP14571	STRAP ASSY TANK V15 / V18	EA.
ARP51003 - 1	FOAM, THERMAL CELL NOMACO C78A	FT.
ARP51003 - 7	TUBING, POLY ACCENTS (100 FT. ROLLS)	FT.
ARP51003 - 61	FOAM, 3W307 3/4 X 1 3/8	FT.
ARP51003 - 82	BARB CONNECTOR FOR POLY WICKER	EA.
ARP51006 - 2	LEATHER, MOCCASIN COWHIDE	EA.
ARP51006 - 3	INDIAN TAN LACING	FT.
ARP51007 - 1	ROPE, 5/16 BADGER 3 STRAND TAN POLY	FT.
ARP51007 - 2	WICKER, 18-MM ROUND REED	5 LB. MIN.
ARP51007 - 3	WICKER, 9-10 MM NATURAL KOOBOO RATAN	5 LB. MIN.
ARP51007 - 4	WICKER, 4-7 MM NATURAL KOOBOO RATAN	5 LB. MIN.
ARP51007 - 7	WICKER, DYED 8 MM ROUND REED	5 LB. MIN.
ARP51007 - 17	NYLON LACING, #381 TASLN, ST/684 BLACK/BROWN	FT.
ARP51007 - 18	ROPE, 1/2 " BLACK, INSIDE HANDLE	EA.
ARP51011 - 19	QUICK RELEASE PIN BLS3B168	EA.
ARP51013 - 1	BOLT, AIRCRAFT AN3-12A	EA.
ARP51013 - 17	BOLT, AIRCRAFT AN4-15A	EA.
ARP51013 - 24	BOLT, AIRCRAFT AN4-21A	EA.
ARP51013 - 25	BOLT, AIRCRAFT AN4-22A	EA.
ARP51013 - 59	BOLT, AIRCRAFT BOLT AN3-16A	EA.
ARP51013 - 83	BOLT, AIRCRAFT AN3-17A	EA.
ARP51014 - 21	SCREW, FLAT END SET 3/8-16 X 5/8	EA.
ARP51014 - 29	SCREW, WOOD FLAT HEAD SQUARE DRIVE #12 X 2"	EA.
ARP51015 - 1	NUT, MS20365-1032A 10-32	EA.
ARP51015 - 3	NUT, LOCKING 1/4 - 20	EA.
ARP51015 - 10	NUT, LOCKING MS20365-428A	EA.
ARP51017 - 1	WASHER, 1/4 PLN AN960-C416	EA.
ARP51017 - 2	WASHER, 1/4 PLN PLATED STL	EA.
ARP51017 - 15	WASHER, SS MS15795-841	EA.
ARP51017 - 18	WASHER, 5/16 CAD PLATED	EA.
ARP51017 - 32	WASHER, FENDER 1.75O.D. X 1/4 I.D.	EA.
ARP51019 - 3	BOLT, CARRIAGE 1/4-20 X 2	EA.
ARP51019 - 39	U-BOLT, .25 X 3.125 X 1.125 SS	EA.
ARP51038 - 5	FIRE EXTINGUISHER	EA.
ARP51040 - 33	TUBE, 3/4 ELECTRICAL METALLIC TUBING	EA.
ARP51054 - 49	SAFETY WALK, 2"	FT.
ARP51082	BURNER FITTING ASSEMBLY 4 PT	EA.
ARP51082 - 2	BURNER SUPPORT INSERT, ADJUSTMENT BLOCK	EA.
ARP51082 - 3	BURNER SUPPORT, INSERT, COMPRESSION SPACER	EA.
ARP51093 - 1	BAG, ACCESSORY SUEDE	EA.
ARP51093 - 2	BAG, ACCESSORY SMOOTH	EA.
ARP51093 - 3	BAG, ACCESSORY CORDURA	EA.
ARP51518 - 5	CONNECTOR PIN RB	EA.
ARP52120 - 1	QUICK RELEASE PIN AVIBANK 55964	EA.
ARP52128	LOAD FITTING 4 POINT	EA.
ARP52142 - 2	COVER, SUEDE LEATHER SIDE FRAME CWS	EA.
ARP52142 - 3	COVER, SMOOTH LEATHER SIDE FRAME CWS	EA.
ARP52145	STEP STIFFENER, LOWER	EA.
ARP52163	QUICK RELEASE PIN WITH RETAINER	EA.
ARP52174	TOOL POUCH	EA.
ARP52249	FIRE EXTINGUISHER POUCH	EA.
ARP52315	BRACKET, SKID INNER	EA.
ARP52479	FIRE EXTINGUISHER	EA.
ARP52501 - 1	TUBE CONNECTOR, RB 90 DEG.	EA.
ARP52804	SUPPORT TUBE, RB5	EA.

PART NUMBER	DESCRIPTION	UNITS
ARP52807	SIDE FRAME, RB5	EA.
ARP52880	SKID, LONG RB5	EA.
ARP52881	SKID, SHORT RB5	EA.
ARP52883	SKID, CENTER RB5	EA.
ARP52884	FLOOR, RB5	EA.
ARP52885	FRAME, RB5 TOP PERIMETER	EA.
ARP52886	RIB, RB SHORT STEP	EA.
ARP52887	DIVIDER BOARD, RB5	EA.
ARP52888	DIVIDER CHANNEL, RB5	EA.
ARP52889	TUBE, RB5 DIVIDER REINFORCEMENT	EA.
ARP52890	DIVIDER ASSEMBLY RB5	EA.
ARP52893	SKID GUARD, POLY RB5 SHORT	EA.
ARP52894	SKID GUARD, POLY RB5 LONG	EA.
ARP52895	SKID GUARD, POLY RB5 CENTER	EA.
ARP52896	KNEE PAD, RB5	EA.
ARP52918 - 1	COVER, SMOOTH LEATHER SUPPORT TUBE RB5	EA.
ARP52918 - 2	COVER, SUEDE LEATHER SUPPORT TUBE RB5	EA.
ARP52918 - 3	COVER, SMOOTH LEATHER SUPPORT TUBE W/FLAP RB5	EA.
ARP52918 - 4	COVER, SUEDE LEATHER SUPPORT TUBE RB5	EA.
ARP52919 - 1	COVER, SMOOTH LEATHER SUPPORT TUBE RB5 W/FLAP	EA.
ARP52919 - 2	COVER, SUEDE LEATHER SUPPORT TUBE RB5	EA.
ARP52919 - 3	COVER, SMOOTH LEATHER SUPPORT TUBE W/FLAP RB5	EA.
ARP52919 - 4	COVER, SUEDE LEATHER SUPPORT TUBE RB5 W/FLAP	EA.
ARP52975	RIB, MEDIUM STEP	EA.
ARP52976	RIB, TALL STEP	EA.
ARP52987	BRACKET, OUTER POLY SKID	EA.
ARP53034 - 3	OVERSLEEVE, RB	EA.
ARP53034 - 4	OVERSLEEVE, RB	EA.
ARP53077 - 1	TANK SHOE BASE, LOWER RB5	EA.
ARP53077 - 2	TANK SHOE BASE, UPPER RB5	EA.
ARP53093	SPACER, COLLAR RB	EA.
ARP53097 - 1	BURNER SUPPORT FITTING, SLOTTED	EA.
ARP53105	PIN, WIRE LOCK, S.S. W/LANYARD (STAMPED "S")	EA.



SUPPORT TUBE COVERS	CORNER 1 (with Flap)	CORNER 2	CORNER 3 (with Flap)	CORNER 4
SUEDE LEATHER	52919-1	52918-1	52918-1	52918-1
SMOOTH LEATHER	52919-2	52918-2	52918-2	52918-2

Figure RB5-1

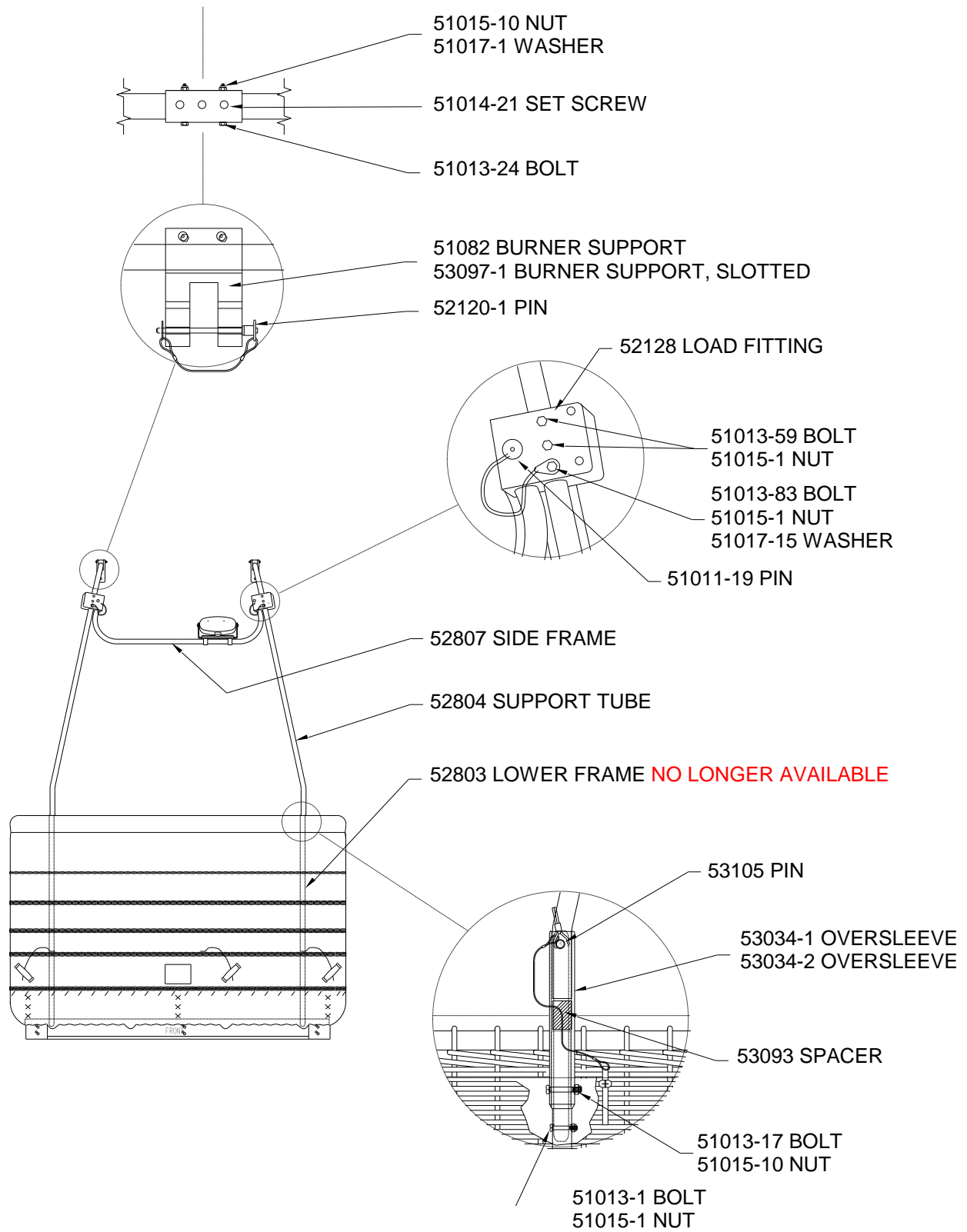


Figure RB5-2

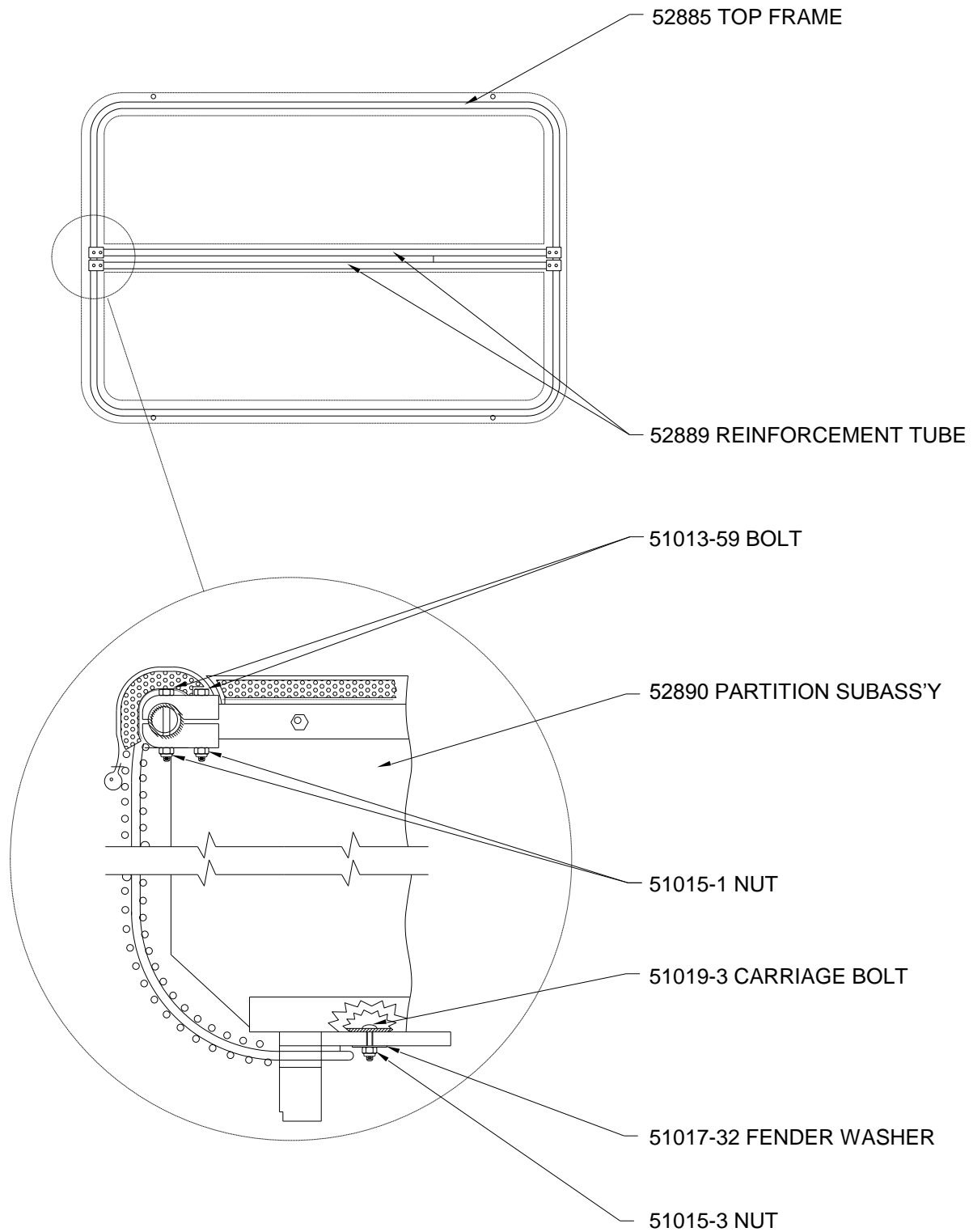


Figure RB5-3

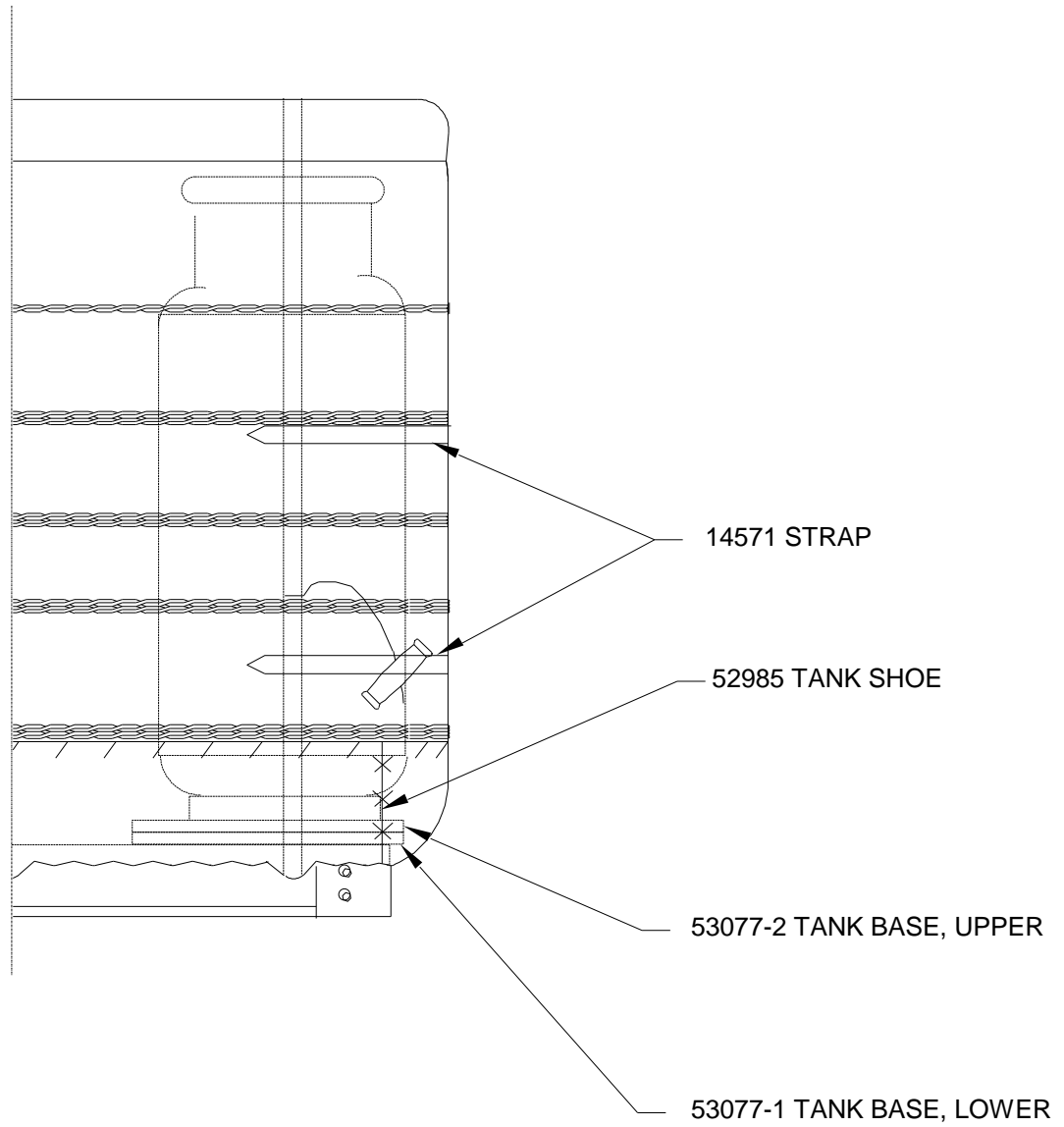


Figure RB5-4

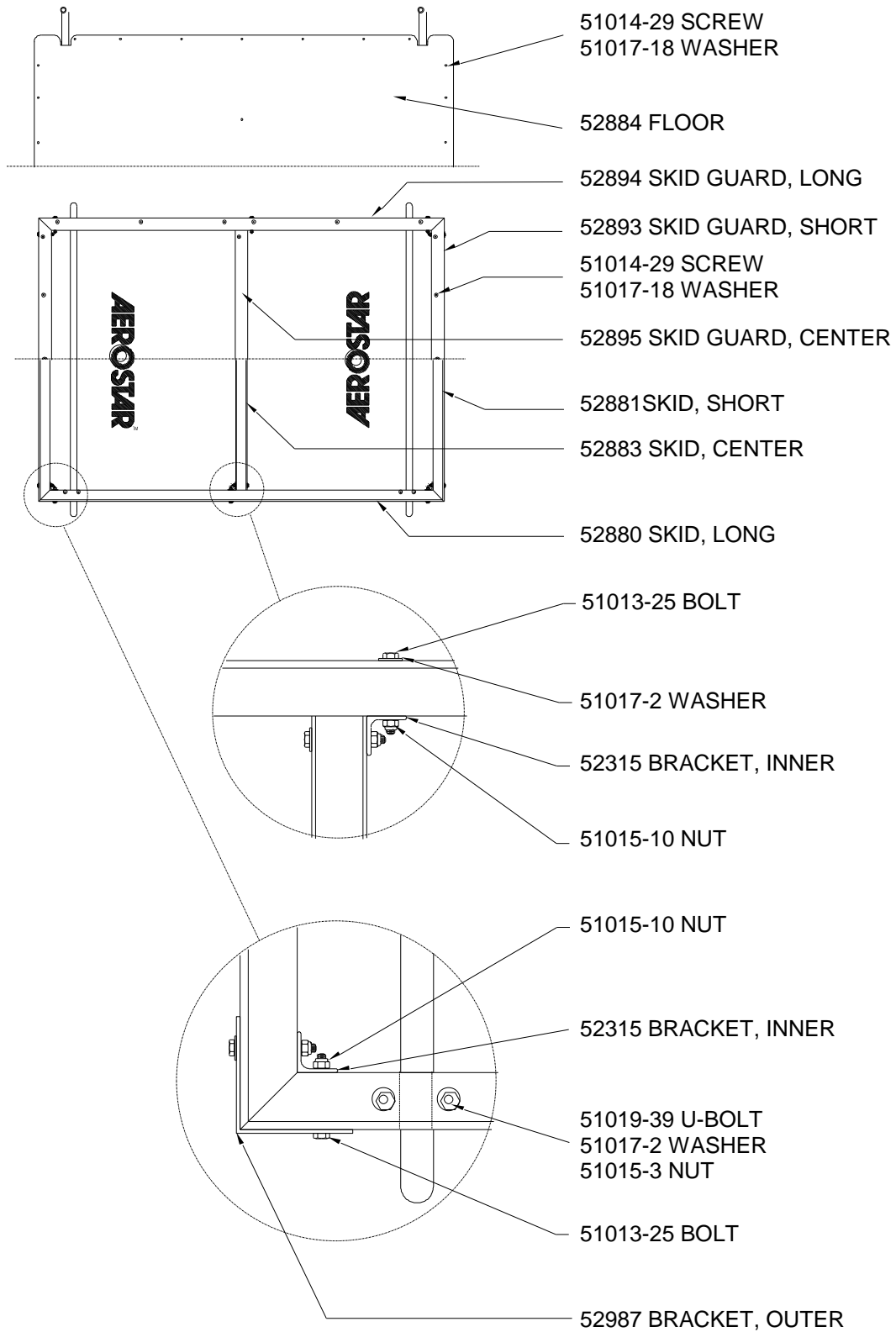


Figure RB5-5