

***Parts***

**AUTHORITY**

125 Redwood Circle, Fayetteville, Georgia 30214 770.719.9492  
FAA Parts Manufacturing Authority PQ4173CE

***“Your Source for Aerostar PMA Parts”***

# AEROSTAR PARTS MANUAL

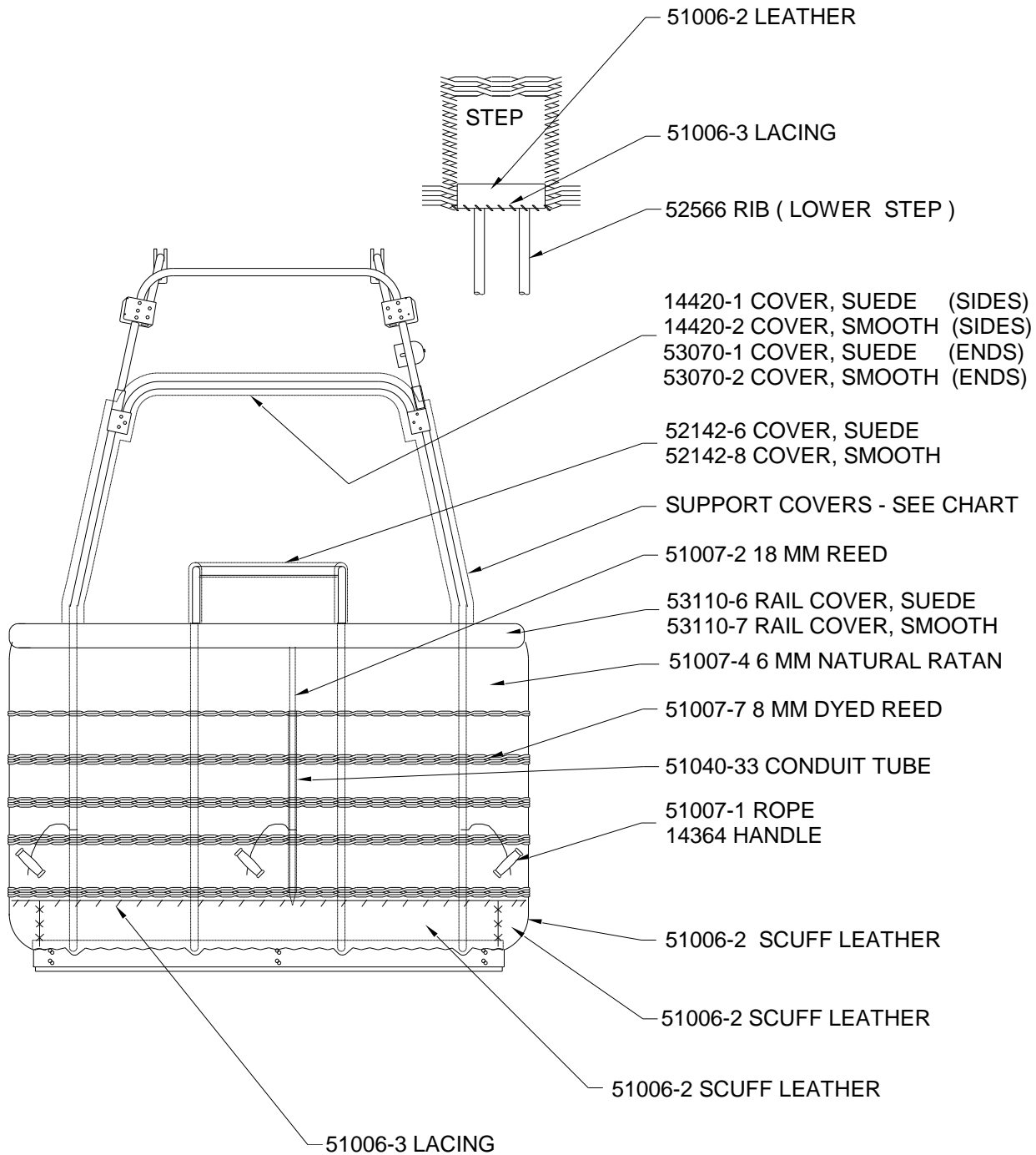
*(Parts Subject to Availability)*

CLASSIC IX GONDOLA  
MODEL “RB6”  
Aerostar P/N 52428

PART NUMBER		DESCRIPTION	UNITS
ARP14364		HANDLE, GONDOLA	EA.
ARP14420	- 1	COVER, SUEDE LEATHER SIDE FRAME	EA.
ARP14420	- 2	COVER, SMOOTH LEATHER SIDE FRAME	EA.
ARP14571		STRAP ASSY TANK V15 / V18	EA.
ARP51003	- 1	FOAM, THERMAL CELL NOMACO C78A	FT.
ARP51003	- 7	TUBING, POLY ACCENTS (100 FT. ROLLS)	FT.
ARP51003	- 55	FOAM, 3W301 3/4 X 1 3/8	FT.
ARP51003	- 61	FOAM, 3W307 3/4 X 1 3/8	FT.
ARP51003	- 81	BOOT, RUBBER	EA.
ARP51003	- 82	BARB CONNECTOR FOR POLY WICKER	EA.
ARP51006	- 2	LEATHER, MOCCASIN COWHIDE	EA.
ARP51006	- 3	INDIAN TAN LACING	FT.
ARP51007	- 1	ROPE, 5/16 BADGER 3 STRAND TAN POLY	FT.
ARP51007	- 2	WICKER, 18-MM ROUND REED	5 LB. MIN.
ARP51007	- 3	WICKER, 9-10 MM NATURAL KOOBOO RATAN	5 LB. MIN.
ARP51007	- 4	WICKER, 4-7 MM NATURAL KOOBOO RATAN	5 LB. MIN.
ARP51007	- 7	WICKER, DYED 8 MM ROUND REED	5 LB. MIN
ARP51007	- 17	NYLON LACING, #381 TASLN, ST/684 BLACK/BROWN	FT.
ARP51007	- 18	ROPE, 1/2 " BLACK, INSIDE HANDLE	EA.
ARP51012	- 3	POP RIVET AD 48BS	EA.
ARP51013	- 1	BOLT, AIRCRAFT AN3-12A	EA.
ARP51013	- 4	BOLT, AIRCRAFT AN3-14A	EA.
ARP51013	- 17	BOLT, AIRCRAFT AN4-15A	EA.
ARP51013	- 24	BOLT, AIRCRAFT AN4-21A	EA.
ARP51013	- 25	BOLT, AIRCRAFT AN4-22A	EA.
ARP51013	- 59	BOLT, AIRCRAFT BOLT AN3-16A	EA.
ARP51013	- 83	BOLT, AIRCRAFT AN3-17A	EA.
ARP51013	- 95	BOLT, 1/4-28 GRADE 8	EA.
ARP51014	- 21	SCREW, FLAT END SET 3/8-16 X 5/8	EA.
ARP51014	- 29	SCREW, WOOD FLAT HEAD SQUARE DRIVE #12 X 2"	EA.
ARP51015	- 1	NUT, MS20365-1032A 10-32	EA.
ARP51015	- 2	NUT, 10-32 CAPNUT ESAN 22 NKM2	OBSOLETE
ARP51015	- 10	NUT, LOCKING MS20365-428A	EA.
ARP51015	- 37	NUT, LOCKING 5/16-18 ESNA	EA.
ARP51017	- 1	WASHER, 1/4 PLN AN960-C416	EA.
ARP51017	- 2	WASHER, 1/4 PLN PLATED STL	EA.
ARP51017	- 4	WASHER, POP RIVET 1/8	EA.
ARP51017	- 18	WASHER, 5/16 CAD PLATED	EA.
ARP51017	- 32	WASHER, FENDER 1.75O.D. X 1/4 I.D.	EA.
ARP51019	- 38	BOLT, CARRIAGE 5/16-18 X 2 1/2 SS	EA.
ARP51037	- 7	SLEEVE, 3/32 OVAL COPPER 5005-3	EA.
ARP51037	- 15	CABLE, 1/16 RED PVC	FT.
ARP51038	- 5	FIRE EXTINGUISHER	EA.
ARP51040	- 33	TUBE, 3/4 ELECTRICAL METALLIC TUBING	EA.
ARP51054	- 49	SAFETY WALK, 2"	FT.
ARP51079	- 2	SIDE FRAME, RB6, RB8	EA.
ARP51080	- 4	SUPPORT TUBE, RB6, RB8, RB12	EA.
ARP51082		BURNER FITTING ASSEMBLY 4 PT	EA.
ARP51082	- 2	BURNER SUPPORT INSERT, ADJUSTMENT BLOCK	EA.
ARP51082	- 3	BURNER SUPPORT, INSERT, COMPRESSION SPACER	EA.
ARP51093	- 1	BAG, ACCESSORY SUEDE	EA.
ARP51093	- 2	BAG, ACCESSORY SMOOTH	EA.
ARP51093	- 3	BAG, ACCESSORY CORDURA	EA.
ARP51100		SIDE FRAME, LOWER RB	EA.
ARP51113	- 1	COVER, SMOOTH LEATHER RB SUPPORT TUBE	EA.
ARP51113	- 2	COVER, SMOOTH LEATHER RB SUPPORT TUBE	EA.

PART NUMBER		DESCRIPTION	UNITS
ARP51114	- 1	COVER, SMOOTH LEATHER RB SUPPORT TUBE W/FLAP	EA.
ARP51114	- 3	COVER, SMOOTH LEATHER SUPPORT TUBE RB W/FLAP	EA.
ARP51518	- 5	CONNECTOR PIN RB	EA.
ARP52120	- 1	QUICK RELEASE PIN AVIBANK 55964	EA.
ARP52142	- 6	COVER, SUEDE LEATHER RB TANK TOP FRAME RB6	EA.
ARP52142	- 8	COVER, SMOOTH LEATHER RB TANK TOP FRAME RB6	EA.
ARP52145		STEP STIFFENER, LOWER	EA.
ARP52163		QUICK RELEASE PIN WITH RETAINER	EA.
ARP52174		TOOL POUCH	EA.
ARP52249		FIRE EXTINGUISHER POUCH	EA.
ARP52315		BRACKET, SKID INNER	EA.
ARP52321		END FRAME RB	EA.
ARP52427		TANK ASSEMBLY, V-23 SINGLE SERVICE	EA.
ARP52432		FRAME, TOP BASKET RB6	EA.
ARP52438		TANK SUPPORT, RB6, RB8	EA.
ARP52458	- 1	COVER, SUEDE LEATHER SUPPORT TUBE RB #4	EA.
ARP52458	- 2	COVER, SUEDE LEATHER SUPPORT TUBE RB #3	EA.
ARP52458	- 3	COVER, SMOOTH LEATHER SUPPORT TUBE RB #4	EA.
ARP52458	- 4	COVER, SMOOTH LEATHER SUPPORT TUBE RB #3	EA.
ARP52459	- 1	COVER, SUEDE LEATHER SUPPORT TUBE RB #1 W/FLAP	EA.
ARP52459	- 2	COVER, SUEDE LEATHER SUPPORT TUBE RB #2 W/FLAP	EA.
ARP52459	- 3	COVER, SMOOTH LEATHER SUPPORT TUBE RB #1 W/FLAP	EA.
ARP52459	- 4	COVER, SMOOTH LEATHER SUPPORT TUBE RB #2 W/FLAP	EA.
ARP52479		FIRE EXTINGUISHER	EA.
ARP52499		TAB, REINFORCEMENT	EA.
ARP52500		FRAME, RB6 TANK TOP	EA.
ARP52501	- 1	TUBE CONNECTOR, RB 90 DEG.	EA.
ARP52501	- 3	TUBE CONNECTOR, RB 32 DEG.	EA.
ARP52502	- 1	DIVIDER FRAME UPPER TUBES, RB6 STRAIGHT	EA.
ARP52502	- 2	DIVIDER FRAME UPPER TUBES, RB6 BENT	EA.
ARP52504		SKID, LONG RB6	EA.
ARP52508		FLOOR, RB6	EA.
ARP52509		PLATFORM, PILOT RB6	EA.
ARP52511		SKID, SHORT RB	EA.
ARP52512		SKID, CENTER RB	EA.
ARP52515	- 3	RB6 PARTITION HALF ASSEMBLY	EA.
ARP52515	- 4	RB6 PARTITION HALF ASSEMBLY	EA.
ARP52516		SKID GUARD, POLY, RB CENTER	EA.
ARP52517		PLATFORM SUPPORT RB6	EA.
ARP52522	- 1	U BRACKET, 5/16 IN HOLE	EA.
ARP52522	- 2	U BRACKET, 3/16 IN HOLE	EA.
ARP52523	- 3	DIVIDER, LOWER TUBES RB6	EA.
ARP52523	- 4	DIVIDER, LOWER TUBES RB6	EA.
ARP52526		STRAP, TANK V23	EA.
ARP52527		SKID GUARD, POLY SHORT SIDE RB	EA.
ARP52528		SKID GUARD, POLY LONG SIDE RB6	EA.
ARP52566		RIB, STIFFENER RB	EA.
ARP52714		KNEEPAD, CORNERS 1 & 4, RB-6	EA.
ARP52715		KNEEPAD, CORNERS 2 & 3, RB-6	EA.
ARP52716		KNEEPAD, CENTER, RB-6	EA.
ARP52987		BRACKET, OUTER POLY SKID	EA.
ARP53019		WASHER, 3 IN ALUMINUM	EA.
ARP53034	- 1	OVERSLEEVE, RB	EA.
ARP53034	- 2	OVERSLEEVE, RB	EA.
ARP53070	- 1	COVER, SUEDE LEATHER END FRAME, RB6, RB8	EA.
ARP53070	- 3	COVER, SMOOTH LEATHER END FRAME, RB6, RB8	EA.

PART NUMBER		DESCRIPTION	UNITS
ARP53093		SPACER, COLLAR RB	EA.
ARP53097	- 1	BURNER SUPPORT FITTING, SLOTTED	EA.
ARP53105		PIN, WIRE LOCK, S.S. W/LANYARD (STAMPED "S")	EA.



SUPPORT TUBE COVERS	CORNER 1 (with Flap)	CORNER 2	CORNER 3 (with Flap)	CORNER 4
SUEDE LEATHER	52459-1	52459-2	52458-2	52458-1
SMOOTH LEATHER	52459-3	52459-4	52458-4	52458-3

Figure RB6-1

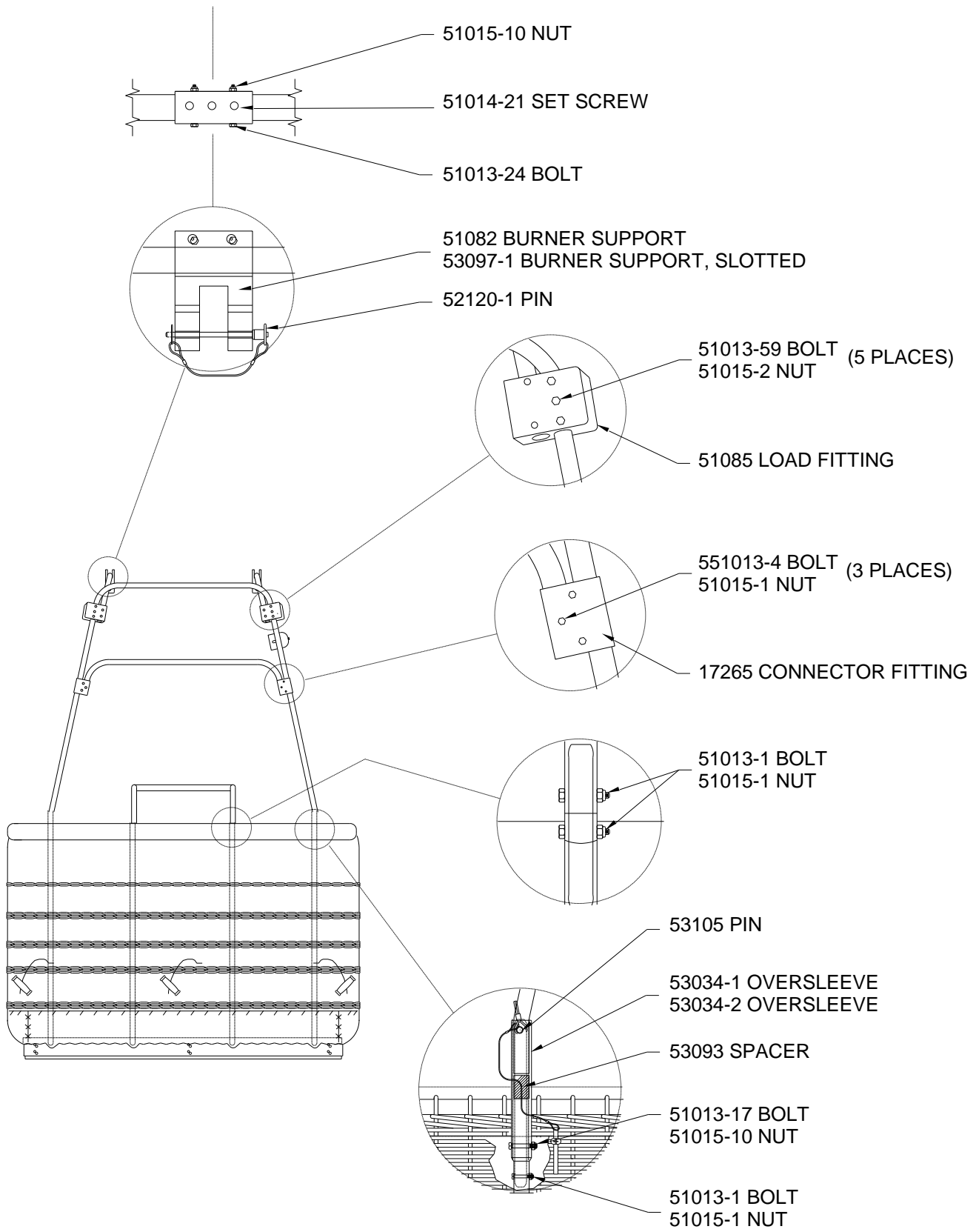


Figure RB6-2

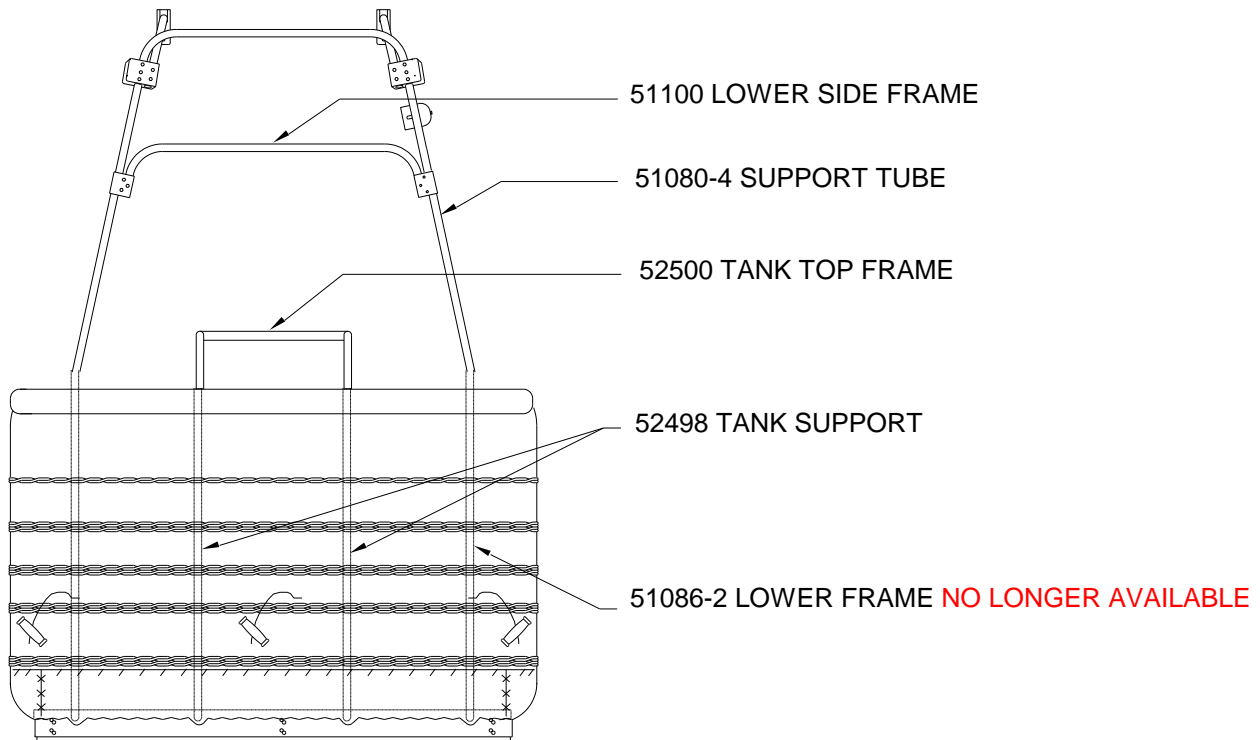
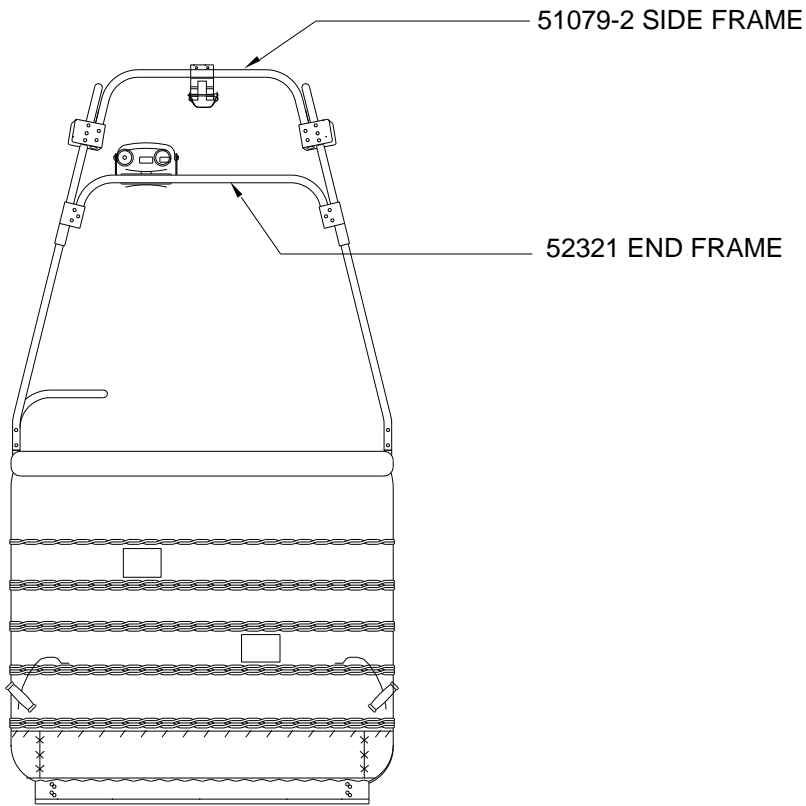


Figure RB6-3

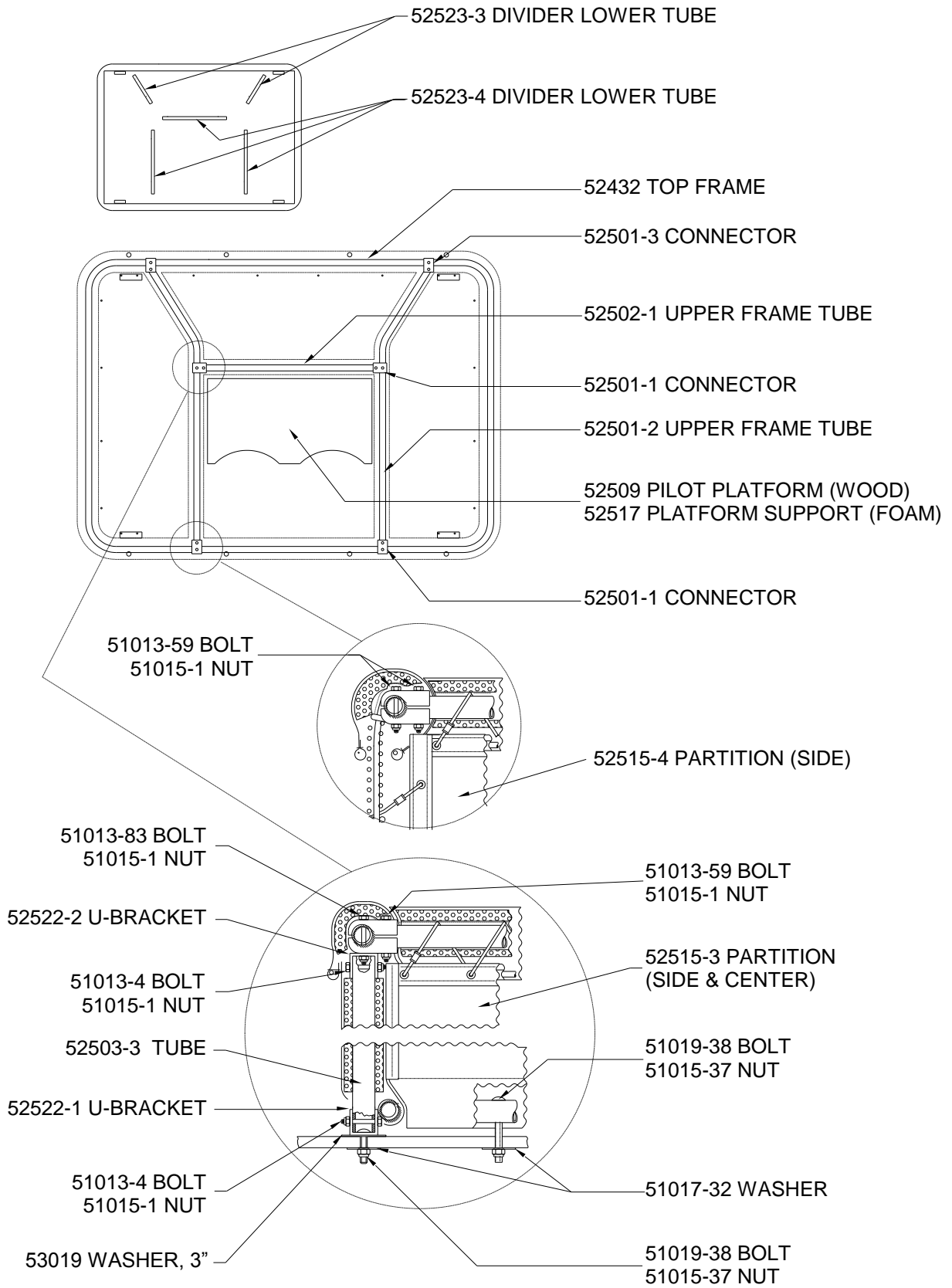


Figure RB6-4



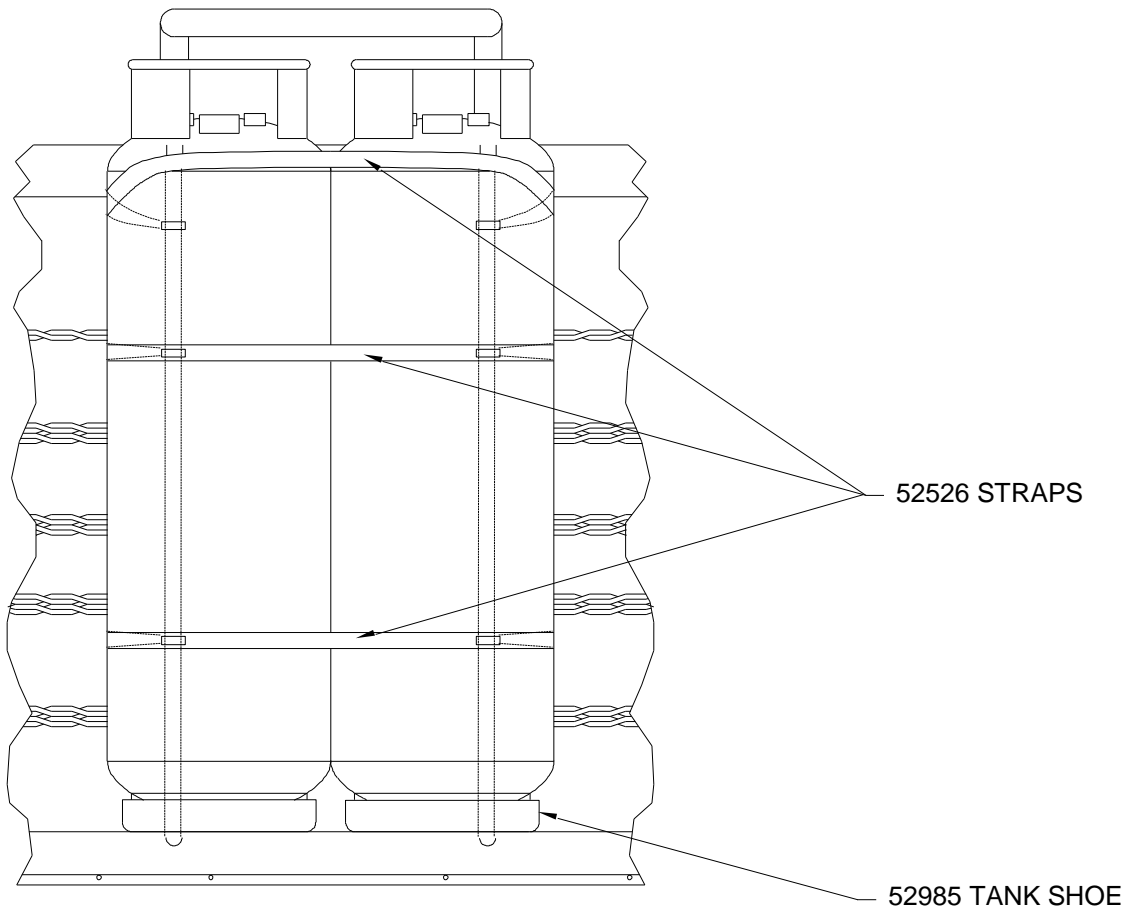


Figure RB6-5

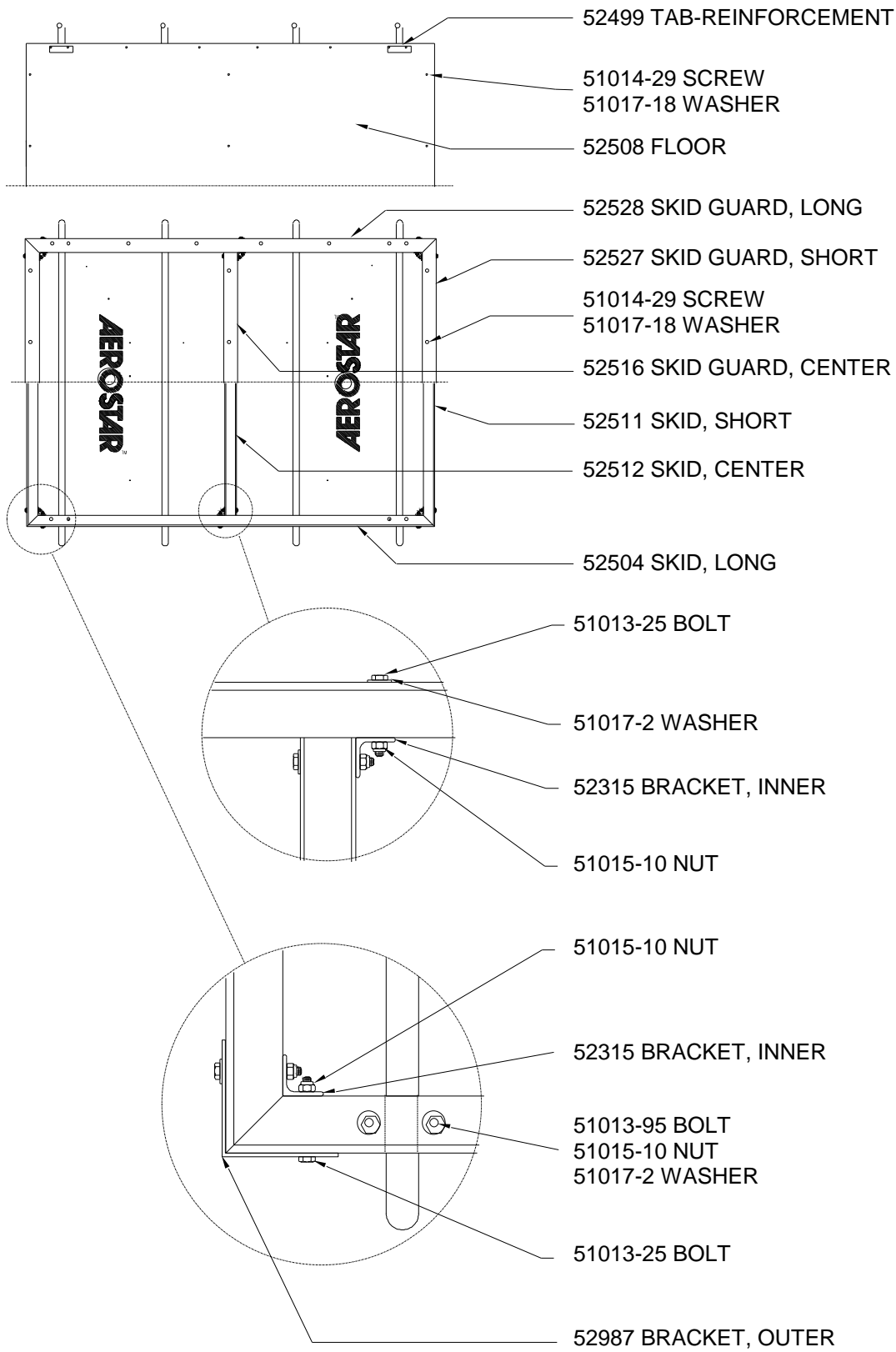


Figure RB6-6